



# **Savage<sup>®</sup> Arms**

*The Definition of Accuracy*

Safe ownership is your responsibility. Please thoroughly read and understand this manual before loading your firearm.

Keep firearms and ammunition away from children. Lock unloaded firearms and ammunition securely in separate locations.

This manual should always accompany your firearm and be transferred with it upon change of ownership. This is your responsibility and may protect you from future liability.

100 Springdale Road  
Westfield, MA 01085

## **INSTRUCTION MANUAL**

### **MODEL 10ML-II**

### **MUZZLELOADER WITH ACCUTRIGGER**

**IMPORTANT! DO NOT ATTEMPT TO LOAD AND SHOOT YOUR RIFLE UNTIL YOU HAVE THOROUGHLY READ THIS INSTRUCTION MANUAL AND ARE FULLY FAMILIAR WITH ITS CONTENTS**

For more information, please visit our web site at [www.savagearms.com](http://www.savagearms.com)

Congratulations on joining the Savage Arms family of sporting firearms owners. With reasonable care, your firearm should deliver years of reliable service and perform to our "legend of accuracy".

For your convenience, this INSTRUCTION MANUAL has been divided into 9 sections:

SECTION 1: 10 Commandments of Shooting Safety

SECTION 2: Muzzleloader Safety Guidelines

SECTION 3: Operating Instructions

SECTION 4: AccuTrigger™ Instructions

SECTION 5: Recommended Powder Loads

SECTION 6: Parts List and Diagram

SECTION 7: Scope Rings/Bases

SECTION 8: Statement of Limited Warranty

SECTION 9: Frequently Asked Questions

## SECTION 1

### 10 COMMANDMENTS OF SHOOTING SAFETY

For more information, please visit our web site at:  
[www.savagearms.com](http://www.savagearms.com)

(The following excerpts are from SAAMI bulletin #081 1MM 7/97 BP. The entire booklet can be obtained by calling: NATIONAL SHOOTING SPORTS FOUNDATION, 11 MILE HILL ROAD, NEWINGTON, CT 06470; 203-426-4358)

#### FIREARMS SAFETY DEPENDS ON YOU

From the time you pick up a firearm, you become part of a system over which you have complete control. You are the only part of the system that can make a gun safe – or unsafe.

You can help meet this responsibility by enrolling in hunter safety or shooter safety courses, if you have not already done so. You must constantly stress safety when handling firearms, especially to children and non-shooters. Develop safe shooting habits and remember, firearms safety is up to you. Make no mistake about it.

#### ALCOHOL, DRUGS AND GUNS DON'T MIX

##### 1. ALWAYS KEEP THE MUZZLE POINTED IN A SAFE DIRECTION

This is the most basic safety rule. If everyone handled a firearm so carefully that the muzzle never pointed at something they didn't intend to shoot, there would be virtually no firearm accidents. It's as simple as that, and it's up to you.

Never point your gun at anything you do not intend to shoot. A safe direction means a direction in which a bullet can not possibly strike anyone, taking into account possible ricochets and the fact that bullets can penetrate walls and ceilings. Even when "dry firing" with an unloaded gun, you should never point the gun at an unintended target.

This is your responsibility, and only you can control it.

##### 2. FIREARMS SHOULD BE UNLOADED WHEN NOT ACTUALLY IN USE

Firearms should be loaded only when you are in the field or on the target range or

shooting area, ready to shoot. When not in use, firearms and ammunition should be secured in a safe place, separate from each other. It is your responsibility to prevent children and inexperienced adults from gaining access to firearms or ammunition. A loaded gun has no place in or near a vehicle or building.

Whenever you handle a firearm or hand it to someone, always open the action immediately, and visually check the chamber, receiver and magazine to be certain they do not contain any ammunition. Never assume a gun is unloaded – check for yourself! While in the field, there will be times when common sense and the basic rules of firearms safety will require you to unload your gun for maximum safety. When in doubt, unload your gun!

##### 3. DON'T RELY ON YOUR GUN'S "SAFETY"

Treat every gun as though it can fire at any time, regardless of pressure on the trigger. The "safety" on any gun is a mechanical device, which, like any such device, can become inoperable at the worst possible time. The safety serves as a supplement to proper gun handling but cannot possibly serve as a substitute for common sense.

Never touch the trigger on a firearm until you actually intend to shoot.

Your firearm is a precision instrument. Regardless of the position of the safety, any bump strong enough to actuate the firing mechanism of a gun can cause it to fire. The only time you can be absolutely certain that a gun cannot fire is when the action is open and it is completely empty. You and the safe gun handling procedures you have learned are your gun's primary safeties.

#### **4. BE SURE OF YOUR TARGET AND WHAT'S BEYOND IT**

No one can call a bullet back. Don't shoot unless you know exactly what your bullet is going to strike. Be sure that your bullet will not injure anyone or anything beyond your target. You should keep in mind how far a bullet will travel if it misses your intended target or ricochets in another direction.

Be aware that even a .22 short bullet can travel over 1¼ miles and a high velocity cartridge, such as a 30-06, can project a bullet more than 3 miles. Shotgun pellets can travel 500 yards, and shotgun slugs have a range of over a half-mile.

#### **5. USE CORRECT AMMUNITION**

You must assume the serious responsibility of using only the correct ammunition for your firearm. Read and heed all warnings, including those that appear in the gun's instruction manual and on the ammunition boxes. Using improper or incorrect ammuni-

tion can destroy a gun and cause serious personal injury. It only takes one cartridge of improper caliber or gauge to wreck your gun, and only a second to check each one as you load it. Be absolutely certain that the ammunition you are using matches the specifications that are contained within the gun's instruction manual and the manufacturer's markings on the firearm barrel.

Hand loaded or reloaded ammunition deviating from pressures generated by factory loads or from competent recommendations specified in reputable hand loading manuals can be dangerous, and can cause severe damage to guns and serious injury to the shooter.

Ammunition that has become very wet or has been submerged in water should be discarded in a safe manner. Do not spray oil or solvents on ammunition or place ammunition in excessively lubricated firearms.

Form the habit of examining every cartridge you put in your gun. Never use damaged, old or questionable ammunition – the money you save is not worth the risk of possible injury or a ruined gun.

---

#### **WARNING**

***DISCHARGING FIREARMS IN POORLY VENTILATED AREAS, CLEANING FIREARMS OR HANDLING AMMUNITION MAY RESULT IN EXPOSURE TO LEAD AND OTHER SUBSTANCES KNOWN TO CAUSE BIRTH DEFECTS,***

***REPRODUCTIVE HARM AND OTHER SERIOUS PHYSICAL INJURY. HAVE ADEQUATE VENTILATION AT ALL TIMES. WASH HANDS THOROUGHLY AFTER EXPOSURE.***

---

#### **6. IF YOUR GUN FAILS TO FIRE WHEN THE TRIGGER IS PULLED, HANDLE WITH CARE!**

Occasionally, a gun may not fire when the trigger is pulled. If this occurs, keep the muzzle pointed in a safe direction. Keep your face away from the breech. Then, carefully open the action, unload the firearm and dispose of the cartridge in a safe way.

Any time there is a cartridge in the chamber, your gun is loaded and ready to fire—even if you've tried to shoot and it did not go off. It could go off at any time, so you must always remember *RULE #1* and *WATCH THAT MUZZLE!*

#### **7. ALWAYS WEAR EYE AND EAR PROTECTION WHEN SHOOTING**

All shooters should wear protective shooting glasses and some form of hearing protectors while shooting. Exposure to shooting noise can damage hearing, and adequate vision protection is essential. Wearing eye protection when disassembling and cleaning any gun will also help prevent the possibility of springs, spring tensioned parts, solvents or other agents from contacting your eyes. No target shooter, plinker or

hunter should ever be without them.

#### **8. BE SURE THE BARREL IS CLEAR OF OBSTRUCTIONS BEFORE SHOOTING**

Before you load your firearm, open the action and be certain that there is no cartridge in the chamber. Then glance through the barrel to be sure it is clear of any obstruction. Even a small bit of mud, snow, excess lubricating oil or grease in the bore can cause dangerously increased pressure, causing the barrel to bulge or even burst when firing, which can cause injury to the shooter and bystanders. Make it a habit to clean the bore with a cleaning rod and patch to wipe away anti-rust compounds in the gun each time immediately before you shoot it. If the noise or recoil on firing seems weak or doesn't seem quite "right", cease firing immediately and be sure to check that no obstruction or projectile has become lodged in the barrel.

#### **9. DON'T ALTER OR MODIFY YOUR GUN, AND HAVE GUNS SERVICED REGULARLY**

Firearms are complicated mechanisms, which are designed by experts to function properly in their original condition. Any alteration or change made to a firearm after manufacture can make the gun dangerous and will usually void any factory warranties. Do not jeopardize your safety or the safety of others by altering the trigger, safety or other mechanism of any firearm or allowing unqualified person's to repair or modify a gun.

Your gun is a mechanical device, which will not last forever and is subject to wear. As such, it requires periodic inspection, adjustment and service.

#### **10. LEARN THE MECHANISM AND HANDLING CHARACTERISTICS OF THE FIREARM YOU ARE USING**

Not all firearms are the same. Consequently, never handle any firearm without first having thoroughly familiarized yourself with the particular type of firearm you are using, the safe gun handling rules for loading, unloading, carrying and handling that firearm, and the rules of safe gun handling in general. Locate the firearm's mechanical safety device and get familiar with the feel and "on/off" positions.

You should always read and refer to the instruction manual you received with your gun, or if you have misplaced the manual, simply contact the manufacturer for a free copy.

Having a gun in your possession is a full-time job. You cannot guess; you cannot forget. You must know how to use, handle and store your firearm safely. Do not use any firearm without having a complete understanding of its particular characteristics and safe use. There is no such thing as a foolproof gun.

## **SECTION 2**

### **MUZZLELOADER SAFETY GUIDELINES**

For more information, please visit our web site at: [www.savagearms.com](http://www.savagearms.com)

Loading and shooting a muzzleloading rifle is not difficult, but does require procedures that are different than loading and shooting a cartridge firearm. To avoid possible damage to the rifle or injury to the shooter and bystanders, read, understand, and practice the *10 COMMANDMENTS OF SHOOTING SAFETY* (Section 1) and *MUZZLELOADER SAFETY GUIDELINES*. Always use common sense when loading and shooting any firearm.

#### **TEN COMMANDMENTS OF MUZZLELOADER SAFETY**

1. The beginning muzzleloader shooter can receive instruction and information from the National Muzzleloading Rifle Association, local muzzleloading clubs, the National Rifle Association and state hunter education programs.
2. The Savage Model 10ML-II has been designed and built to shoot prescribed smokeless powder loads. This rifle will also give outstanding performance with black powder or Pyrodex® propellants.

**CAUTION: DO NOT USE SMOKELESS POWDER IN ANY OTHER MUZZLELOADING FIREARM NOT SPECIFICALLY DESIGNED FOR ITS USE.**

## SECTION 3

### OPERATING INSTRUCTIONS

For more information, please visit our web site at:  
[www.savagearms.com](http://www.savagearms.com)

**PRIOR TO LOADING OR OPERATING, FAMILIARIZE YOURSELF THOROUGHLY WITH THESE OPERATING INSTRUCTIONS AND THE MAIN PARTS OF YOUR FIREARM.**

**FAILURE TO OBEY A SAFETY WARNING MAY RESULT IN INJURY TO YOU OR OTHERS.**

**KNOW HOW TO LOCATE AND OPERATE THE SAFETY MECHANISM.**

---

### SAFETY

The safety on your Savage Arms bolt action firearm has 3 positions:

- **FULL SAFE** - Pull safety button towards shooter (trigger blocked – bolt can not be opened).
- **MID POSITION** (trigger blocked – bolt can be opened).
- **SAFETY OFF - READY TO FIRE.** Push safety button away from shooter.

### FULL SAFE

1. The safety is in the *FULL SAFE* position when it has been moved fully rearward, covering the red "F" (See *FIGURE 1*).

3. **ALWAYS** keep the muzzle of the rifle pointed in a safe direction, especially during loading. With any muzzleloader, there is always the possibility of an accidental discharge while loading. It is imperative that the barrel be vertical and angled away from the face and body when pouring in a measured powder charge and while seating the projectile over the powder.

4. **ALWAYS** open the bolt of the rifle before loading powder and projectile in the barrel. Once the primer is loaded and the bolt closed, the rifle is ready to fire.

5. Remain focused during loading to insure that you use the proper sequence of components. **NEVER** hand a loaded muzzleloader to another shooter. **NEVER** fire a muzzleloader someone else has loaded (without knowing how and with what it was loaded). **NEVER** attempt to jump across a ditch, climb across a fence or log, or hoist a muzzleloader into an elevated tree stand while it is primed and ready to fire. **ALWAYS** know if your rifle is loaded or unloaded, primed or unprimed. **NEVER** let yourself become distracted while handling a loaded and primed muzzleloader.

6. **ALWAYS** seat the projectile firmly over the powder charge. Any projectile that sits off of the powder charge will usually produce poor accuracy and could result in pressures high enough to burst the barrel and cause injury. In some cases, the powder will fail to ignite.

7. The best accuracy with smokeless loads in your Savage Model 10ML-II will be achieved with powder charges that have been carefully weighed

on a smokeless powder scale and carried in small, capped plastic tubes. Never load directly from the can, powder flask or powder horn. A burning ember from the last shot left in the barrel could ignite the powder and result in the explosion of the container. **ALWAYS** use a separate container/dipper/charge tube to transfer the charge from the container. **ALWAYS** keep your face and hands away from the muzzle when loading, and immediately close any powder or Pyrodex® container after use.

8. **DO NOT** smoke while loading or handling a loaded muzzleloader, or when handling propellants.

9. Keep powder and primers away from where firearms are being discharged. Sparks, intense heat or a sharp impact can detonate powders and primers. **ALWAYS** read and understand the manufacturer's instructions for details on safe handling and storage.

10. Thoroughly check all safety and functioning of mechanical parts before loading your Savage Model 10ML-II rifle. Take precautions against overcharging the rifle and always make sure that the projectile is properly seated over the powder before closing the bolt with a primer. Accidental double powder charges, improper seating of bullets, or an obstruction in the bore could result in damage to the rifle and serious injury or death to a shooter or by-stander.

2. The safety should be moved into the *FULL SAFE* position when the bolt has been closed and the firearm is ready to fire.

3. In the *FULL SAFE* position, the trigger is blocked from moving and the bolt on rifles can not be opened.

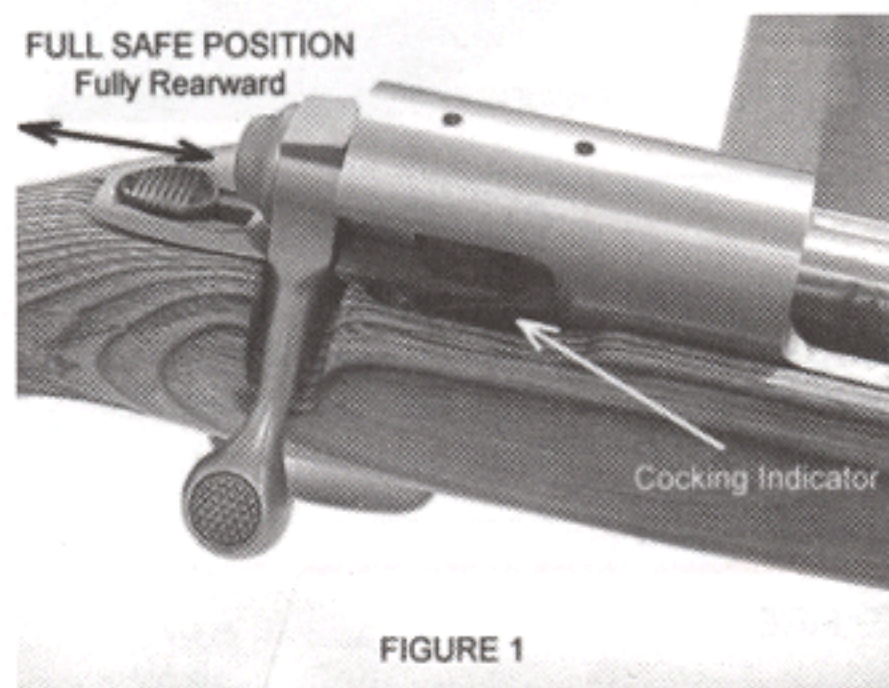


FIGURE 1

---

**CAUTION**

**WHEN CARRYING A LOADED FIREARM, THE SAFETY MUST ALWAYS BE IN THE FULL SAFE POSITION.**

**THE ONLY TIME YOU CAN BE ABSOLUTELY CERTAIN THAT A GUN CANNOT FIRE IS WHEN THE ACTION IS OPEN AND IT IS COMPLETELY EMPTY OF AMMUNITION.**

## MID POSITION

1. *MID POSITION* allows the bolt to be opened and cycled while still blocking the trigger.

2. The safety can either be manually pushed to the MID SAFE position or the following sequence performed:

- lift the bolt handle
- move the safety to the *FULL SAFE* position
- push the bolt handle downward

---

**CAUTION**

**WHEN IN DOUBT - NEVER ASSUME! WITH THE BOLT HANDLE FULLY UPWARD, THE MUZZLE POINTED IN A SAFE DIRECTION, AND THE SAFETY IN THE MID SAFE POSITION, THE TRIGGER SHOULD NOT HAVE ANY REARWARD MOVEMENT.**

---

## SAFETY OFF – READY TO FIRE

1. The safety is in the *OFF* position when moved fully forward, exposing the red "F".

---

**CAUTION**

**NEVER TRANSPORT/CARRY A LOADED FIREARM WITH THE SAFETY OFF.**

---

## LOADING

**KNOW YOUR GUN! IF ANYTHING 'FEELS' OR SOUNDS DIFFERENT WHEN LOADING OR**

**SHOOTING - STOP - AND HAVE A QUALIFIED GUNSMITH TAKE A LOOK! NEVER TAKE A CHANCE WITH SOMETHING THAT YOU ARE UNSURE OF... ALWAYS ASK A PROFESSIONAL.**

Firearms should be loaded only when you are in the field, on the target range, or at a shooting area ready to shoot.

Use *ONLY* the correct powder charges and sabot/bullet combination specified in the Instruction Manual or listed on the Savage Arms web site ([www.savagearms.com](http://www.savagearms.com)).

Thoroughly clean the inside of the barrel, breech plug and vent liner to remove all grease and other possible obstructions prior to loading. Lightly coat the threads on the vent liner and breech plug with any Mil-Spec 907A anti-seize (available at any auto parts store) before reassembly. Be sure the breech plug/vent liner is tightened securely prior to loading. A loose breech plug may make the bolt hard to close and allow some unintended pressure and debris to flow rearward. This may also result in a hard to remove breech plug when using Triple Seven®.

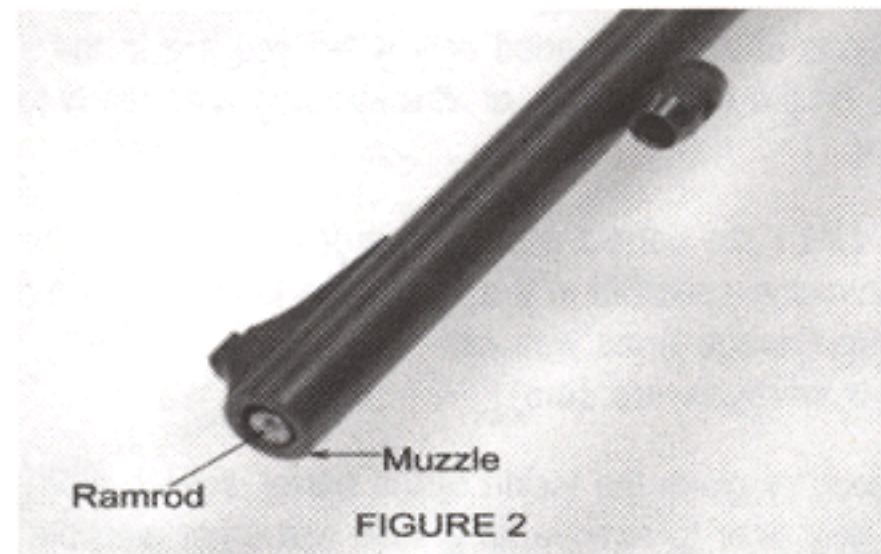
---

**CAUTION**

**EXCESS ANTI-SEIZE COATING WILL WET POWDER CAUSING MISFIRES.**

1. **MAKE SURE THE RIFLE IS UNLOADED AND THE BOLT IS OPEN.** The ramrod is approximately the same length as the bore of the rifle. When dropped into an unloaded barrel, one end should sit nearly flush with the muzzle (See FIGURE 2). If it protrudes an inch or

more, the rifle is either loaded or has a barrel obstruction. See instructions for disassembly to remove load or obstruction.



2. Before pouring in the powder charge, make sure the bolt is open.

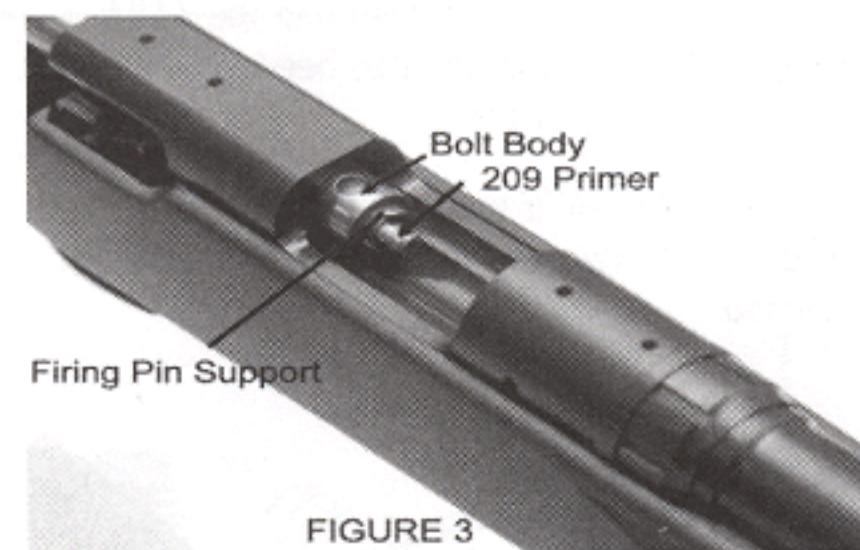
3. **WIPE THE BORE FREE OF OIL.** With the barrel pointed away from your face, use cleaning jag on the end of the ramrod to push a clean dry patch down the bore to remove excess oil. After checking to be sure the rifle is not loaded, again pointing the barrel in a safe direction, fire a primer to clear the breech plug and vent liner of oil or cleaning solvents. The rifle is now ready to be loaded. Open the bolt and remove the fired primer. When firing a primer **without a load**, it sometimes may be necessary to open/close the bolt and pull the trigger a second time (**on the fired primer**) to ease its removal from the firing pin support.

4. With the barrel vertical and away from your face, **POUR IN MEASURED OR WEIGHED POWDER CHARGE.** Your Savage Model 10ML-II

rifle can be loaded with charges of black powder, Pyrodex® or prescribed loads of certain smokeless powders (see Section 5). For safety and consistent accuracy, all powder charges should be carefully measured. When loading with black powder or Pyrodex®, use a volume type measure. Pyrodex® should be loaded on a volume to volume basis with black powder. **MAXIMUM PRACTICAL CHARGE WITH EITHER PYRODEX® OR BLACK POWER IS 150 GRAINS.** Best accuracy (with prescribed smokeless loads) is obtained when charges are precisely weighed on a smokeless powder scale. **NEVER CLOSE THE BOLT WITH A PRIMER ATTACHED WHILE LOADING...AND ALWAYS KEEP FACE AND HANDS CLEAR OF MUZZLE.**

5. **START AND SEAT THE PROJECTILE OVER THE POWDER CHARGE.** Plastic sabot and bullet combinations must fit barrels tightly. Insert the sabot and bullet into the end of the barrel and press down past the muzzle. The ramrod is then used to firmly seat it over the powder charge. **DO NOT CRUSH THE POWDER CHARGE.** Simply push the projectile down the bore until it makes contact with the powder, then seat firmly. For best accuracy, always exert the same amount of pressure on the ramrod for every shot. Note position of ramrod when loaded – it should always be in the same place after subsequent loading, or something is wrong! Always check it.

6. **WITH THE SAFETY IN THE FULL-SAFE POSITION AND BOLT OPEN**, place a #209 primer fully into the slot in the firing pin support (See FIGURE 3) and close the bolt to chamber the primer. **SINCE THE SAFETY WILL AUTOMATICALLY MOVE TO THE MID-SAFE POSITION, RESET TO "FULL SAFE" POSITION BEFORE CARRYING.**



### **CAUTION**

**ALWAYS WEAR PROPER EYE & HEARING PROTECTION WHEN LOADING AND SHOOTING YOUR NEW SAVAGE MODEL 10ML-II MUZZLELOADER**

### **TO FIRE**

**DO NOT MOVE THE SAFETY FORWARD TO THE SAFETY OFF – READY TO FIRE POSITION UNTIL YOU ARE READY TO SHOOT.**

1. Keep your finger off the trigger and out of the trigger guard until you are ready to shoot.

**THE ONLY TIME YOU CAN BE ABSOLUTELY CERTAIN THAT A GUN CANNOT FIRE IS WHEN THE ACTION IS OPEN AND IT IS COMPLETELY EMPTY OF AMMUNITION.**

2. Always look carefully around to be sure that no one will cross in front of you when you are ready to shoot.

3. Place the firearm to your shoulder and move the safety forward to the *SAFETY OFF – READY TO FIRE* position and take aim.

**NEVER TOUCH THE TRIGGER ON A FIREARM UNTIL YOU ACTUALLY INTEND TO SHOOT.**

**NEVER POINT YOUR GUN AT ANYTHING YOU DO NOT INTEND TO SHOOT.**

4. Place your finger in the trigger guard and when you are on target, squeeze the trigger slowly.

**NO ONE CAN CALL A BULLET BACK.**

5. Pull up and fully rearward on the bolt handle to open the bolt, then remove the fired primer with your fingers.

**ALWAYS KEEP THE MUZZLE POINTED IN A SAFE DIRECTION.**

**KNOW YOUR GUN! IF ANYTHING 'FEELS' OR SOUNDS DIFFERENT WHEN LOADING OR SHOOTING - STOP - AND HAVE A QUALIFIED GUNSMITH TAKE A LOOK! NEVER TAKE A CHANCE WITH SOMETHING THAT YOU ARE UNSURE OF ... ALWAYS ASK A PROFESSIONAL.**

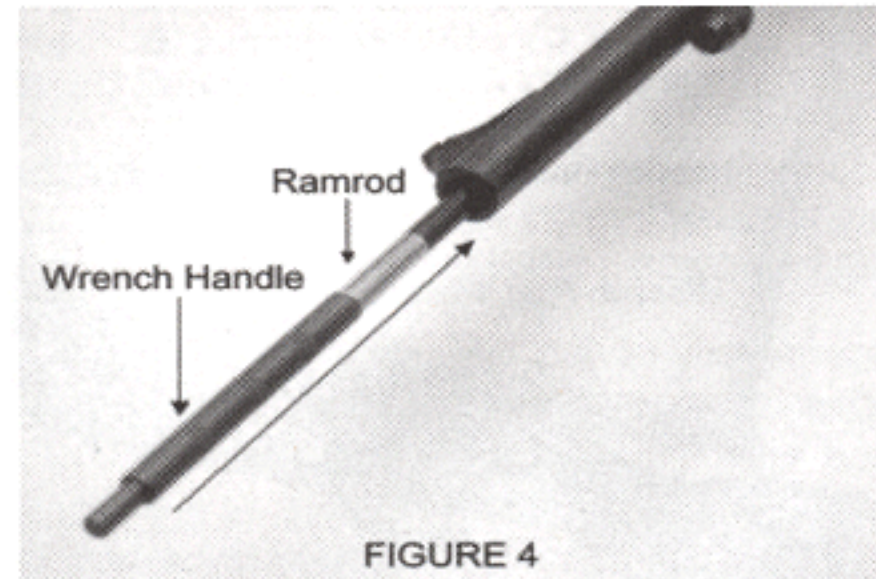
---

## UNLOADING YOUR RIFLE

To unload your Savage Model 10ML-II, you have three alternatives:

1. You can fire the rifle into a safe backstop.
2. You can open the bolt and remove the primer from the slot in the firing pin support, pull the bullet, and pour out the powder.

3. You can remove the bolt and the removable breech plug (see "Disassembly") and pour out the powder charge through the receiver. Using a stiff, heavy-duty cleaning rod or attaching the breech plug wrench handle to your ramrod (See FIGURE 4), push the projectile out through the breech end of the barrel.



**Note:** Completely screw wrench handle into small end of ramrod until shoulder bottoms on brass end of ramrod.

One of the most significant features of the Savage Model 10ML-II is the removable breech plug. It allows the shooter to easily unload the rifle without having to fire the load, and simplifies the cleaning process. If you are shooting smokeless powder and have the opportunity of shooting into a proper backstop, firing the rifle is the quickest and easiest way to unload any muzzleloader.

**A LOADED GUN HAS NO PLACE IN OR NEAR A VEHICLE OR BUILDING.**

---

## WHAT TO DO IN CASE OF A MISFIRE

The #209 shotshell primer used in the Savage Model 10ML-II puts upwards of 15 times the amount of flame into the barrel as is possible with the very best No. 11 percussion cap used for ignition on most other muzzleloading rifles. When fresh quality primers are used, the chance of a misfire is indeed rare. Primers, however, are produced in mass quantities and it is possible to experience a defective one.

**If you should experience a misfire, follow this procedure:**

1. Without opening the bolt, keep the muzzle of the rifle pointed downrange, or in a safe direction, for at least one minute. In the case of a delayed or hang fire, this will avoid the potential of injury to others and/or property damage.
2. After the minute has passed, and with the muzzle still pointed in a safe direction, open the bolt and remove the primer from the firing pin support.

---

### **CAUTION**

**ALWAYS RESEAT THE BULLET ONTO THE POWDER CHARGE BEFORE ATTEMPTING TO RE-FIRE WITH ANOTHER PRIMER. THE PRESSURE CREATED BY A SINGLE NO. 209 SHOTSHELL PRIMER IS ENOUGH TO PUSH THE BULLET AND POWDER CHARGE UP THE BARREL AND CREATE A DANGEROUS SITUATION.**

---



3. With the barrel pointed in a safe direction, place a new primer in the firing pin support and close the bolt. If the rifle still fails to fire, wait one minute then follow the instructions for "DISASSEMBLY" and remove the breech plug. There may be a good chance that you simply forgot to pour powder into the barrel before seating the projectile or your powder charge may have gotten damp or contaminated with oil that may have been left in the bore from the last cleaning. Pour out any powder (through the receiver) and push the projectile from the barrel with a stiff, heavy-duty cleaning rod. Thoroughly clean the barrel, breech plug and receiver area. Clean or replace the vent liner if worn (approximately 200 shots).

4. Reassemble the rifle, making sure that the threads of the breech plug have a light coat of anti-seize compound.

---

### DISASSEMBLY

1. MAKE SURE THE BOLT IS OPEN AND THE RIFLE IS UNLOADED. (See "Step 1" of "LOADING PROCEDURE").

---

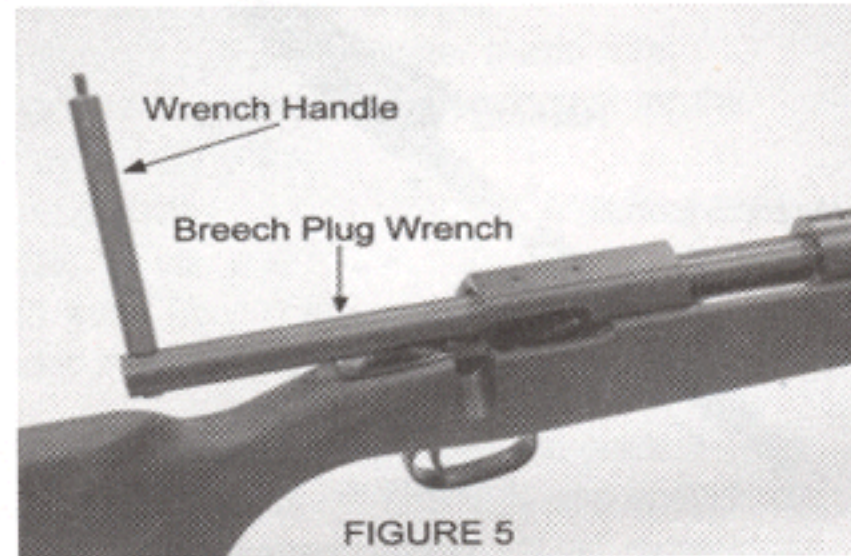
#### CAUTION

**IF LOADED PROCEED WITH EXTREME CAUTION, KEEPING THE MUZZLE POINTED IN A SAFE DIRECTION.**

2. REMOVE BOLT. Raise bolt handle, pull rearward, loosen rear action screw (see Figure 12) with a 5/32" Allen wrench and slide bolt out the rear of the receiver.

3. REMOVE RAMROD.

4. REMOVE BREECH PLUG. Using the special breech plug wrench supplied with your rifle, insert the wrench from the rear of the receiver until it fits snugly into the notches at the rear of the breech plug. (See FIGURE 5). Unthread the breech plug from the barrel by turning counter clockwise. **YOUR RIFLE CAN NOW BE CLEANED FROM THE BREECH END OF THE BARREL.**



5. REMOVE THE BREECH PLUG VENT LINER. Use a 1/8" Allen wrench to remove the vent liner at the face of the breech plug (See FIGURE 6). Depending upon the powder being shot, the vent liner should be replaced after approximately 200 shots to maintain optimum performance.

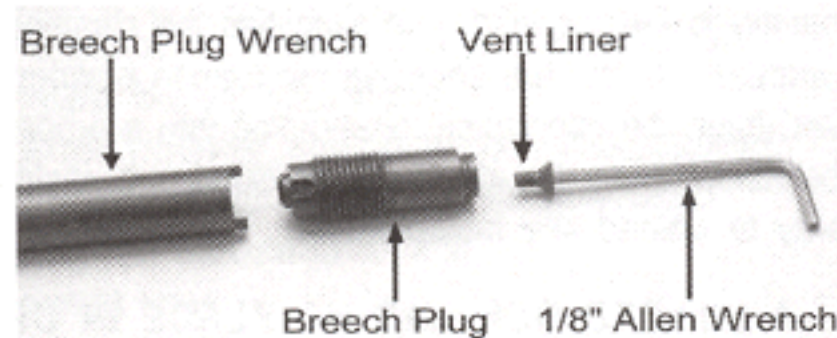


FIGURE 6

---

### REASSEMBLY

Simply reverse the procedures for "DISASSEMBLY". Before installing the vent liner and breech plug, apply a light coat of anti-seize compound to the threads of each. This will ensure that these parts will unthread the next time the rifle is completely disassembled. Failure to apply anti-seize compound to these parts could result in the need to ship your muzzleloader back to Savage Arms, Inc. for disassembly – for which you will be charged. Note: Failure to properly seat the breech plug during reassembly will prevent the bolt from fully closing with a primer. Excess anti-seize compound can result in misfires. Be sure the breech plug/vent liner is tightened securely prior to loading. A loose breech plug may make the bolt hard to close and allow some unintended pressure and debris to flow rearward. This may also result in a hard to remove breech plug when using Triple Seven®. Always wipe the bore clean with a dry patch before loading. The action screws should be tightened securely (front first and then rear - see Figure 12).

---

#### CAUTION

**THE VENT LINER WAS DESIGNED TO STOP UNINTENDED BACKPRESSURE FROM REACHING THE SHOOTER. INSTALLING THE BREECH PLUG WITHOUT THE VENT LINER WILL DAMAGE THE FIREARM AND MAY RESULT IN SERIOUS INJURY TO THE SHOOTER OR BYSTANDER.**

---

---

## CLEANING YOUR SAVAGE MODEL 10ML-II MUZZLELOADER

---

### CAUTION

**BOLT ASSEMBLIES ARE SPECIFICALLY MATCHED TO A FIREARM. USING ANY OTHER BOLT ASSEMBLY MAY CAUSE EXTENSIVE DAMAGE TO THE FIREARM AND/OR SERIOUS INJURY TO THE SHOOTER OR BYSTANDER.**

---

*DISASSEMBLE ONLY ONE FIREARM AT A TIME TO AVOID INTERCHANGING COMPONENTS.*

*YOUR GUN IS A MECHANICAL DEVICE WHICH WILL NOT LAST FOREVER AND IS SUBJECT TO WEAR.*

Savage Arms, Inc. recommends the use of most popular smokeless powder cleaning solvents for the bore, breech plug and vent liner. If you have fired either black powder or Pyrodex® through your rifle, use any good commercial black powder/Pyrodex® cleaning solution. Be sure to read and understand all of the cautions and warnings on all solvents and chemicals prior to use. Follow the manufacturer's instructions for best cleaning results. *Note: Use of Pyrodex® or black powder may require wiping bore between shots and periodically cleaning breech face or firing pin support.*

---

### FREQUENCY OF CLEANING

Using smokeless powder – With smokeless powder, it is a good practice to have the breech

plug/vent liner removed and cleaned before storing for extended periods of time. In heavy use, a decrease in accuracy or ignition consistency may indicate time for the breech plug/vent liner to be cleaned.

Using Pyrodex® or black powder – Black powder will require cleaning at the end of each shooting session (i.e. at the end of the day).

Using Triple 7® - due to the nature of the heavy fouling left behind, the breech plug should be loosened 180° and tightened after the first shot and then again after the fifth shot, then cleaned the same day after use.

---

### FREQUENCY OF VENT LINER REPLACEMENT

Approximately every 200 shots or if you still notice a decrease in accuracy or ignition after cleaning.

### CLEANING INSTRUCTIONS:

**BE SURE TO READ AND UNDERSTAND ALL OF THE CAUTIONS AND WARNINGS ON ALL SOLVENTS AND CHEMICALS PRIOR TO USE. FOLLOW THE MANUFACTURER'S INSTRUCTIONS FOR BEST CLEANING RESULTS.**

1. Make sure that the bolt is open and there is no primer in the breech plug. Follow the instructions for "DISASSEMBLY".

**DO NOT DISASSEMBLE THE BOLT ASSEMBLY.**

---

### CAUTION

**IF LOADED USE SPECIAL PRECAUTIONS (SEE "DISASSEMBLY").**

---

2. Using the appropriate cleaning solvent for the specific powder used (smokeless or black powder/Pyrodex®) read, understand, and follow the directions listed from the manufacturer.

**ALWAYS STARTING FROM THE CHAMBER END, PUSH THE CLEANING ROD THROUGH THE BORE AND OUT THE MUZZLE END.**

3. Lightly scrub the bore with a bronze bore brush, removing any residue that may be left.

4. Wipe the bore with dry, clean patches.

5. Lightly apply a good gun oil to a dry, clean patch and run through the bore several times.

---

### CAUTION

**BE SURE THERE ARE NO OBSTRUCTIONS IN THE BORE PRIOR TO INSERTING THE BREECH PLUG. EVEN A SMALL PIECE OF CLEANING PATCH COULD RESULT IN THE BUILD-UP OF EXCESSIVE PRESSURE, WHICH COULD POTENTIALLY DAMAGE THE FIREARM AND CAUSE INJURY TO THE SHOOTER/BYSTANDER.**

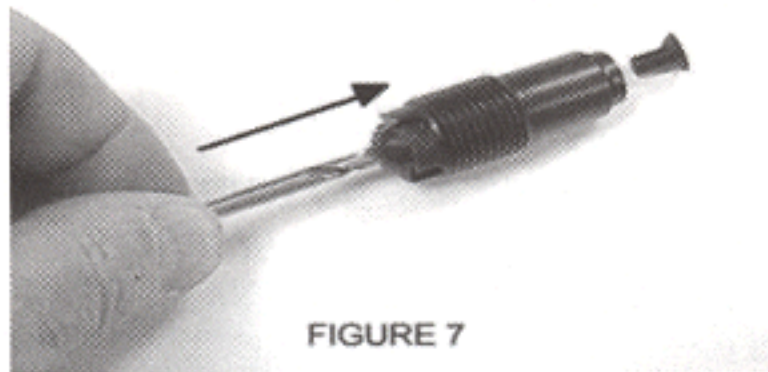
---

6. Using a 1/8" Allen wrench, remove the vent liner from the breech plug (see Figure 6). Look through the breech plug to assure that the flash hole

has not become restricted with carbon build-up. Starting from the primer pocket, insert a #21 drill bit (0.159 to 0.160 inches) with your fingers (see Figure 7), turning it to dislodge any build-up. CAUTION – do not hit the vent liner threads with the drill bit!

Thoroughly clean the breech plug and removable vent liner with the same solvent used to clean the bore (i.e. Hoppe's #9). Inspect the vent liner by looking through it and replace if necessary. Wipe dry and apply a light coat of anti-seize compound to the threads of the vent liner and reinstall. Apply a light coat of anti-seize to the threads of breech plug and reinstall in the barrel. Be sure the breech plug/vent liner is tightened securely prior to loading. A loose breech plug may make the bolt hard to close and allow some unintended pressure and debris to flow rearward. This may also result in a hard to remove breech plug when using Triple Seven®.

DO NOT HIT THE VENT LINER THREADS  
WITH THE DRILL BIT



7. Wipe the outside metal surfaces of the barrel, receiver, and bolt with a lightly oiled cloth.

8. Reassemble the rifle in the reverse order of disassembly.

**YOUR GUN IS A MECHANICAL DEVICE WHICH WILL NOT LAST FOREVER AND IS SUBJECT TO WEAR.**

## SECTION 4

### ACCUTRIGGER™ INSTRUCTIONS

For more information, please visit our web site at:  
[www.savagearms.com](http://www.savagearms.com)

#### CAUTION

**SAVAGE ARMS' OFFERS CERTAIN MODEL FIREARMS WITH AN ACCUTRIGGER™ - SPECIALLY DESIGNED USER ADJUSTABLE TRIGGER. AT THE LOWER SETTINGS, SUCH FIREARMS ARE CONSIDERED TARGET FIREARMS. IT IS THE SOLE RESPONSIBILITY OF THE SHOOTER TO EXERCISE EXTREME CARE WHILE ADJUSTING/HANDLING THESE FIREARMS. SAVAGE ARMS ACCEPTS NO RESPONSIBILITY/ LIABILITY FOR ANY DIRECT AND/OR CONSEQUENTIAL DAMAGE AND/OR INJURY RESULTING FROM THE MISUSE AND/OR MISHANDLING OF A FIREARM.**

#### AccuTrigger™ Pull Adjustment

**SAFE OWNERSHIP IS YOUR RESPONSIBILITY. PRIOR TO ADJUSTING THE ACCUTRIGGER™ PLEASE THOROUGHLY READ AND UNDERSTAND THE INSTRUCTION MANUAL IN ITS ENTIRETY.**

With safety as our primary concern, the AccuTrigger™ design requires the shooter to place their finger squarely over the AccuRelease™. Pulling the trigger from the side or not

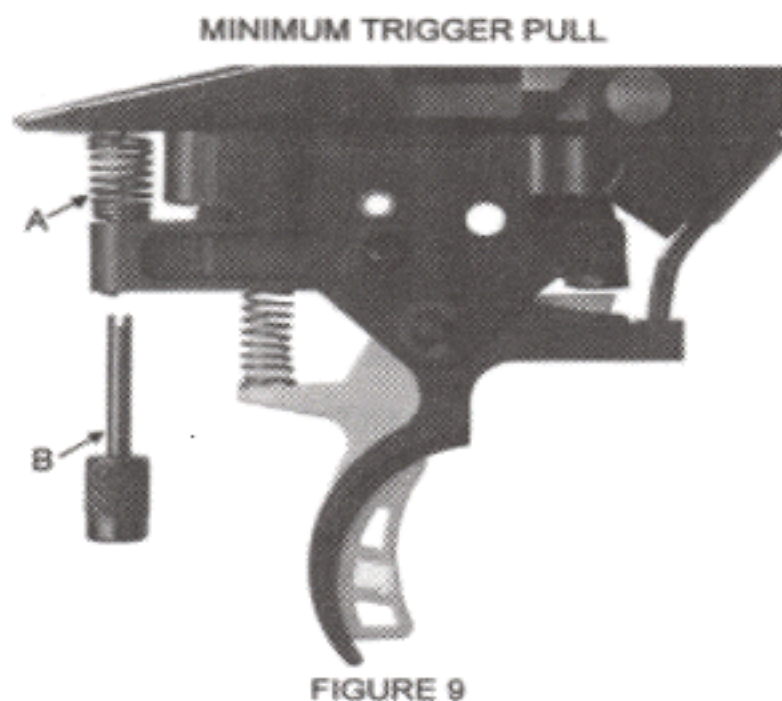
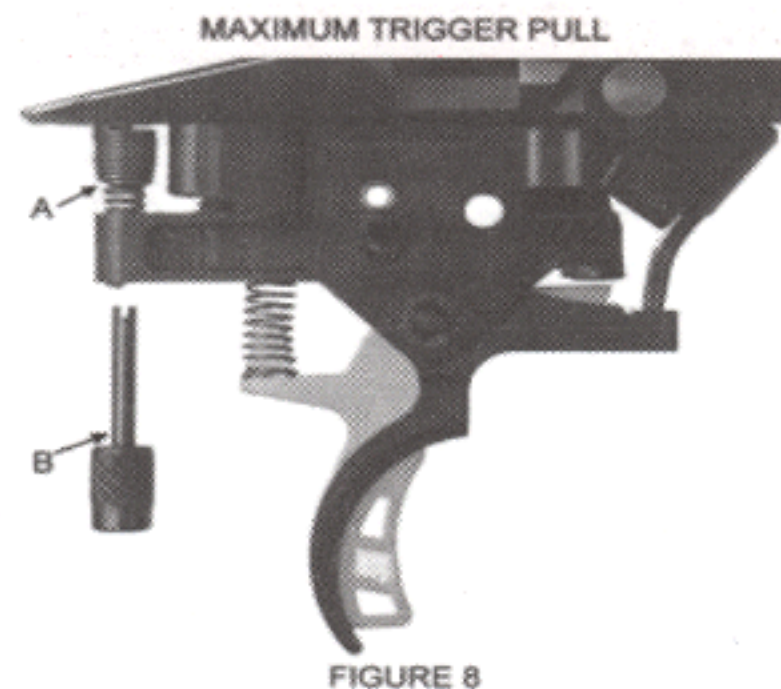
directly rearward will cause the sear to disengage and be blocked by the AccuRelease. Although a 'click' may be heard, the sear is blocked, preventing the firing pin from hitting the primer. When this happens, the bolt must be raised and lowered to 're-cock' the firearm.

#### CAUTION

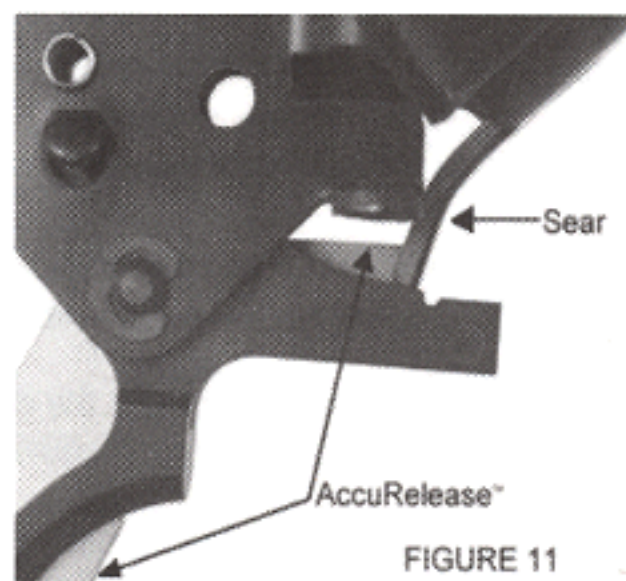
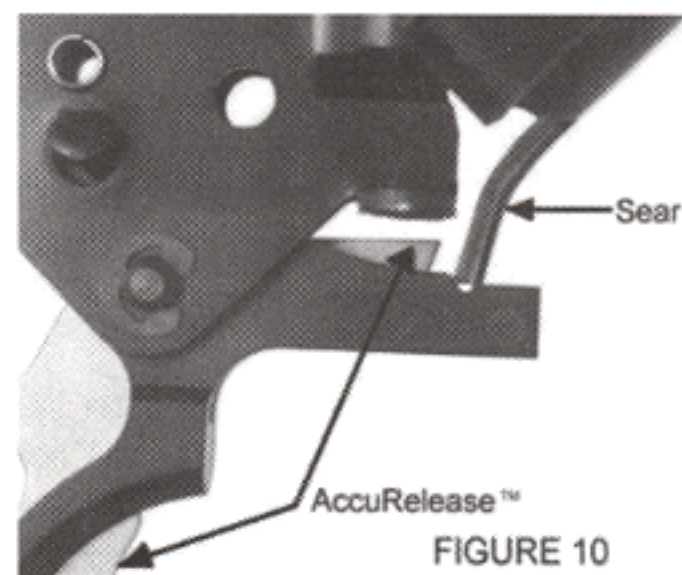
**MAKE SURE THE FIREARM IS UNLOADED AND THE BOLT IS OPEN BEFORE REMOVING THE STOCK AND ADJUSTING THE ACCUTRIGGER™.**

1. Remove the stock (see section REMOVING THE STOCK below)
2. Insert the AccuTrigger™ supplied tool into the bottom of the trigger return spring as shown, to engage the spring-tail with the slot on the tool. Turn the trigger return spring (A) with the trigger adjustment tool (B) as shown in FIGURE 8 and FIGURE 9.
3. To adjust towards the higher range of pull (approximately 6 pounds), turn the tool clockwise. The maximum trigger pull is at the point where the spring "clicks" when rotated (see figure 8).
4. To adjust for a lower pull (approximately 2 ½ pounds), turn the tool counter-clockwise. The minimum pull is at the point when the large coil contacts the top surface of the trigger and you detect resistance (see figure 9).

**The spring should not be forced beyond these limits.**



5. The **AccuRelease™** (see figures 10 and 11) adds an additional level by stopping the sear if the rifle is accidentally jarred or dropped with the safety in the "FIRE" position.



Excessive jarring or pulling the trigger without depressing the **AccuRelease™** may cause the sear to move (see figure 11). As designed, this will prevent accidental discharge by 'locking' the trigger and requiring the bolt to be re-cocked in order to reset the sear.

When the sear is blocked by the **AccuRelease™** (see Figure 11), the firing pin is restrained within the bolt assembly, preventing it from

hitting the primer. The 'click' that is heard is the actual sear being blocked by the **AccuRelease™**, not the firing pin!

**CAUTION**

*DO NOT MOVE THE SAFETY FORWARD TO THE SAFETY OFF – READY TO FIRE POSITION UNTIL YOU ARE READY TO SHOOT.*

*KEEP YOUR FINGER OFF THE TRIGGER AND OUT OF THE TRIGGER GUARD UNTIL YOU ARE READY TO SHOOT.*

*THE ONLY TIME YOU CAN BE ABSOLUTELY CERTAIN THAT A GUN CANNOT FIRE IS WHEN THE ACTION IS OPEN AND IT IS COMPLETELY EMPTY OF AMMUNITION.*

---

REMOVING THE STOCK

**CAUTION**

*THE ONLY TIME YOU CAN BE ABSOLUTELY CERTAIN THAT A GUN CANNOT FIRE IS WHEN THE ACTION IS OPEN AND IT IS COMPLETELY EMPTY OF AMMUNITION.*

*THE REAR ACTION SCREW (SEE FIGURE 12) HOLDS THE BOLT IN THE RECEIVER. LOOSENING THIS SCREW WILL ALLOW THE BOLT TO BE REMOVED.*

1. Be sure the bolt is open and using the supplied ramrod, verify there is no load in the barrel.

- Place the rifle upside down on a table or suitable hard surface so the sights are down and the trigger guard is facing upward (see FIGURE 12).
- Using a 5/32" Allen wrench, loosen the rear action screw, remove the bolt assembly by pulling fully rearward out of the receiver, then remove the action screw completely.
- Using the same 5/32" Allen wrench, remove the front action screw completely.
- The stock can now be removed.

**This manual should always accompany your firearm and be transferred with it upon change of ownership. This is your responsibility and may protect you from future liability.**

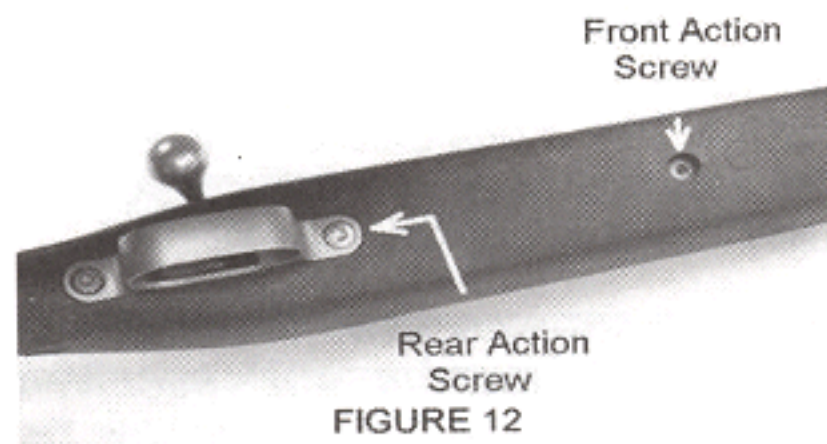


FIGURE 12

## REASSEMBLING THE STOCK

- Place the bolt back into the receiver and close

the bolt handle completely.

- Place the action into the stock, resting the butt on a hard surface with the muzzle pointing upward.
- Replace both screws (long one to the rear) but do not tighten.
- Be sure the bolt operates smoothly after the rear action screw is only 'finger tight'. If the bolt binds, remove the rear action screw, open the bolt handle, and then close the bolt assuring the handle is all the way down.
- With the firearm pointed upward, tighten the top screw first and then the one below (front of the trigger guard). Improper alignment/torque of the rear action screw may shift the point of impact.
- Cycle the bolt several times to be sure that it functions properly.
- Place a thin piece of paper between the barrel and the stock to be sure there is clearance.
- Verify that all three positions of the safety function normally prior to loading with ammunition.

### **CAUTION**

**AFTER REASSEMBLING THE STOCK, VERIFY THAT THE SAFETY OPERATES CORRECTLY AS DEFINED IN THE INSTRUCTION MANUAL'S - BASIC FUNCTIONS SECTION. SAFE OWNERSHIP IS YOUR RESPONSIBILITY!**

## SECTION 5

### RECOMMENDED POWDER LOADS

For more information, please visit our web site at: [www.savagearms.com](http://www.savagearms.com)

**WARNING: THE USE OF SMOKELESS POWDER IN A MUZZLE LOADER NOT SPECIFICALLY DESIGNED FOR SMOKELESS POWDER MAY CAUSE SERIOUS INJURY TO THE SHOOTER, BYSTANDERS, AND/OR DAMAGE TO THE FIREARM.**

The loads specified are for average hunting applications/seasons. For best accuracy during hot days or if the barrel is getting warmer, reduce the powder charge in 1/2 grain increments. In extremely warm conditions, a reduction of 10% or more may be necessary to maintain acceptable accuracy levels, without sacrificing too much terminal energy.

Throughout our testing at the factory and field reports, greater firing consistency/accuracy has been achieved with the high pressure sabots produced by Magnum Muzzleloading Products ((870-741-5019 part number 50X451) more than any other brand of sabot. Recent improvements in sabot designs and polymer compositions, however, have resulted in suitable sabots from several other sources as well.

---

For consistent accuracy, Savage Arms recommends Winchester 209 or Federal 209A primers

---

Consistent ignition and velocity for the smokeless powders listed, depends upon the sabot/bullet being seated with enough force (30 to 40 pounds of pressure) on the ramrod to compact the powder charge. Best accuracy is achieved when the same amount of seating pressure is used on the ramrod for each and every shot.

**NOTE:** Black powder measures are graduated for black powder/Pyrodex® loads only and should not be used for smokeless powder. "Lee" dippers can be used according to the manufacturer's instructions.

---

### RECOMMENDED SMOKELESS POWDER LOADS

Your .50 caliber Savage Model 10ML-II muzzleloader has been designed and built specifically to shoot clean burning, non-corrosive, smokeless powder. Loads should be checked by weight carefully on an accurate smokeless powder scale. Never use a black powder volumetric measure with smokeless powder. If using "LEE" dippers follow instructions for filling and leveling charge and periodic checking on a scale.

The velocities noted are the result of over a thousand chronographed rounds which were shot at temperatures from the mid 80 degree range down into the 20 degree range. The average velocity during warm weather will be slower than those recorded during the cooler temperatures.

Powder	Bullet (w/black MMP sabot)	Velocity (f.p.s.)	Energy (ft. lbs.)
<b>IMR SR4759</b>			
43 gr.	250 gr. Hornady .452" SST or XTP	2,330 f.p.s.	3,015 f.p.e.
43 gr.	300 gr. Hornady .452" SST or XTP	2,225 f.p.s.	3,300 f.p.e.
<b>Accurate Arms XMP-5744</b>			
45 gr.	260 gr. / .40 caliber Dead Center Bullet	2,080 f.p.s.	2,049 f.p.e.
44 gr.	250 gr. Hornady .452" SST or XTP	2,267 f.p.s.	2,837 f.p.e.
44 gr.	300 gr. Hornady .452" SST or XTP	2,218 f.p.s.	3,270 f.p.e.
<b>VIHTAVOURIN110</b>			
42 gr.	250 gr. Hornady .452" SST or XTP	2,305 f.p.s.	2,950 f.p.e.
42 gr.	300 gr. Hornady .452" SST or XTP	2,220 f.p.s.	3,286 f.p.e.

**NOTE:** To determine the best load for your Savage Model 10ML-II, you can increase the powder charge in 1/2 (half) grain increments up to two (2) grains maximum or reduce it by approximately ten (10) percent using sabot bullets of similar weights and diameters. As with all other reloading guidelines, the shooter assumes full responsibility/liability for any load exceeding this recommendation.

**NOTE:** The use of more than one type of powder in a load or any additional material between the powder and sabot (i.e. sub-bases) is strictly prohibited and is the sole responsibility/liability of the shooter for any personal or property damage either direct or consequential.

**NOTE:** Use smokeless powder loads with sabot bullets only. When loading and shooting bore-sized lead conical bullets, Savage Arms, Inc. recommends loading with "Pyrodex® RS", "Select", "Pyrodex® Pellets", or "Triple Seven". Maximum recommended charge is 150 grains.

**NOTE:** The Savage Model 10ML-II is designed, engineered and built to withstand the higher pressures of modern smokeless propellants such as those listed above.

**NOTE:** Throughout our testing at the factory and field reports, greater firing consistency/accuracy has been achieved with the high pressure sabots produced by Magnum Muzzleloading Products ((870-741-5019 part number 50X451) more than any other brand of sabot. Recent improvements in sabot designs and polymer compositions, however, have resulted in suitable sabots from several other sources as well.

**NOTE:** Loads specified are for average hunting applications/seasons. Shooting during extremely hot days will require reduction of powder charges for best accuracy. Heat softens the sabot and can cause a "blow-by" condition, which reduces velocity and accuracy.

---

### RECOMMENDED BLACK POWDER AND PYRODEX® LOADS

#### WARNING

**NEVER MEASURE POWDER CHARGE DIRECTLY FROM CANISTER OR HORN. USE A SEPARATE MEASURE TO TRANSFER CHARGE.**

---

**NOTE:** Using Triple Seven® - due to the nature of the heavy fouling left behind, the breech plug should be loosened 180° and tightened after the first shot and then the fifth shot. Cleaning should be performed the same day after use.

Powder	Bullet (w/MMP sabot)	Velocity (f.p.s.)	Energy (ft. lbs.)
<b>Pyrodex® Pellets</b>			
150 gr. (3-50 gr. Pellets)	250 gr. Hornady .452" SST or XTP	1,955 f.p.s.	2,125 f.p.e.
150 gr. (3-50 gr. Pellets)	300 gr. Hornady .452" SST or XTP	1,908 f.p.s.	2,430 f.p.e.
<b>Pyrodex® "Select"</b>			
120 gr.	250 gr. Hornady .452" SST or XTP	1,694 f.p.s.	1,587 f.p.e.
120 gr.	300 gr. Hornady .452" SST or XTP	1,615 f.p.s.	1,740 f.p.e.
<b>FFg Triple Seven</b>			
120 gr.	240 gr. / .40 caliber Dead Center Bullet	2,080 f.p.s.	2,049 f.p.e.
120 gr.	250 gr. Hornady .452" XTP	1,980 f.p.s.	1,515 f.p.e.
<b>FFFg Triple Seven</b>			
120 gr.	250 gr. Hornady .452" SST or XTP	2,085 f.p.s.	2,410 f.p.e.
120 gr.	300 gr. Hornady .452" SST or XTP	1,990 f.p.s.	2,637 f.p.e.
<b>Triple Seven Pellets</b>			
100 gr. Equiv. (2 Pellets)	250 gr. Hornady .452" SST or XTP	1,690 f.p.s.	1,580 f.p.e.
100 gr. Equiv. (2 Pellets)	300 gr. Hornady .452" SST or XTP	1,615 f.p.s.	1,730 f.p.e.

**NOTE:** Sabot and bullet combination designed for use with black powder may not perform satisfactory with smokeless powder. All such loads must only be used with black or Pyrodex® powders.

## NECESSITIES AND ACCESSORIES – SAVAGE MODEL 10 ML-II

\*Supplied with rifle

### Necessary items for use of the 10ML-II

- \* Instruction manual – *read and understand*
- \* Breech plug wrench & handle
- \* Anti-seize lube (such as *Kleen-Bore® TW25B sample included*)
- \* 1/8" Allen wrench (*for vent liner*)
- \* 5/32" Allen wrench (*for stock/receiver screws*)
- #21 drill bit (*for cleaning breech plug*)
- Powder scale
- Plastic vials for powder charges
- Vent liner pick (0.025 diameter music wire)
- Proper cleaning solvents and equipment for the type of powder used.
- Proper prescribed loads (*includes specific powder charge, bullets, primer and sabots*).
- Patch worm (*to pull lost patches*).
- Powder measure (for smokeless powder)

**NOTE:** Black powder measures are graduated for black powder/Pyrodex® loads only and should not be used for smokeless powder. "Lee" dippers can be used according to the manufacturer's instructions.

### Accessories

- Savage Arms Accessory Kit (P/N 55555 includes):
- 5 powder vials, 2 vent liners, vent liner pick, powder dippers, 20 HMR bullets, 20 MMP sabots, gun cleaning patches, TW25B High Tech lube, .50 caliber cotton bore mop, .50 caliber bronze bore brush
  - Range rod (*heavier and longer than that supplied with the rifle, which is intended for field use*).
  - Cleaning rod with swab or mop.
  - Spare vent liner.
  - Spare breech plug.

## SECTION 6

### PARTS LIST AND DIAGRAM

For more information, please visit our web site at: [www.savagearms.com](http://www.savagearms.com)

**PARTS MAY BE ORDERED DIRECTLY FROM SAVAGE ARMS [413-568-7001] BETWEEN THE HOURS OF 9:00 AND 3:30 (EASTERN STANDARD TIME). THERE IS A MINIMUM ORDER AND PLEASE ALLOW 2 WEEKS FOR DELIVERY.**

**PARTS DENOTED WITH A "\*" ARE RESTRICTED TO FACTORY INSTALLATION ONLY.**

**PARTS DENOTED WITH AN "\*\*\*" CAN ONLY BE SOLD TO AN INDIVIDUAL POSSESSING A CURRENT FEDERAL FIREARMS LICENSE.**

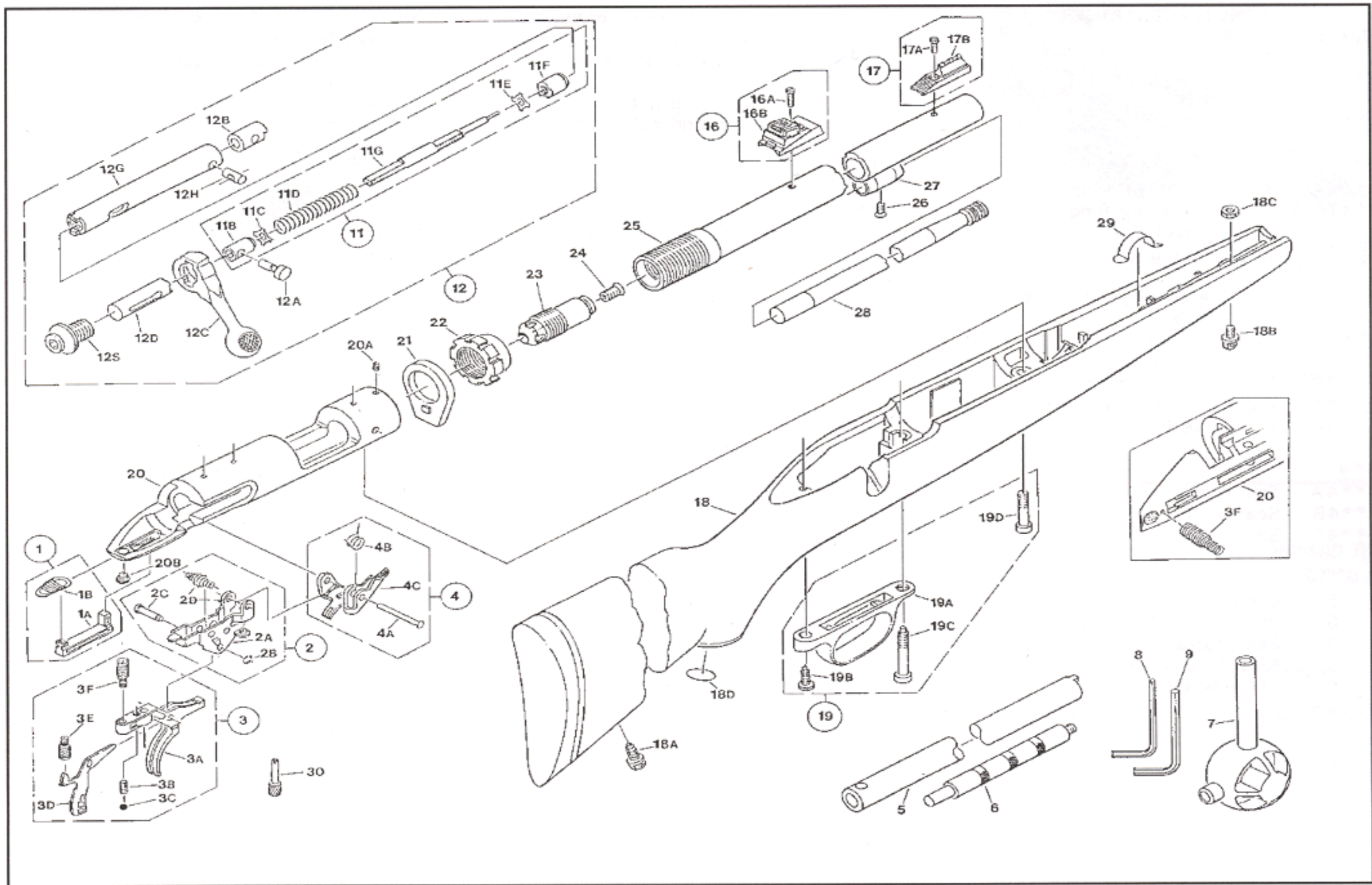
**PLEASE BE ADVISED THAT SOME PARTS MAY REQUIRE FITTING. SAVAGE ARMS BEARS NO RESPONSIBILITY FOR THE FUNCTION OR PERFORMANCE OF ANY FIREARM THAT HAS BEEN REPAIRED OR MODIFIED BY OTHER THAN THE SAVAGE ARMS' SERVICE DEPARTMENT. AS SUCH, SAVAGE ARMS ACCEPTS NO RESPONSIBILITY/LIABILITY FOR ANY DIRECT AND/OR CONSEQUENTIAL DAMAGE AND/OR INJURY RESULTING FROM THE USE OF A FIREARM REPAIRED OR MODIFIED BY OTHER THAN THE SAVAGE ARMS' SERVICE DEPARTMENT.**

<b>10ML II ACCUTRIGER</b>	
<i>ITEM #</i>	<i>DESCRIPTION</i>
**1	Safety Kit
**1A	Safety Bar
**1B	Thumb Piece
**2	Trigger bracket Kit
**2A	Trigger Bracket Assy
**2B	Safety Retaining Ring
**2C	Trigger Pivot Pin
**2D	Safety spring
**3	AccuTrigger (™) Kit
**3A	AccuTrigger
**3B	Socket Screw
3C	Safety Screw Plug
3D	Sear Stop ( AccuRelease)
3E	Sear Stop ( AccuRelease) Spring
3F	Trigger Return Spring
**4	Sear Kit
**4A	Sear pin
**4B	Sear spring
**4C	Sear
5	Breech Plug Wrench
6	Wrench Handle
7	Ball Starter
8	5/32 Hex Wrench
9	1/8 Hex Wrench

**11	Firing pin assembly
**11B	Cocking piece
**11C	Cocking piece lock washer
**11D	Mainspring
**11E	Firing pin stop nut washer
**11F	Firing pin stop nut
**11G	Firing pin
**12	Bolt assembly
12A	Cocking piece pin
12B	Firing Pin Support RH MLII
12C	Bolt handle
12D	Cocking piece sleeve
12G	Bolt body
12H	Bolt head retaining pin
12S	Bolt assembly screw
**11	Firing Pin Assy
16	Rear sight Kit
16A	Rear sight screw
16B	Rear sight Assy
17	Front sight Kit
17A	Front sight screw
17B	Front sight
18	Stock assembly
18A	Swivel stud
18B	Swivel stud (machine screw thread)
18C	10-32 lock nut
18D	Medallion

19	Trigger guard Kit
19A	Trigger guard
19B	Rear trigger guard screw
19C	Rear action screw
19D	Front action screw
*20	Receiver
20A	6-48 dummy screw
20B	Safety insert
*21	Recoil lug
*22	Barrel lock nut
23	Breech plug
24	Vent liner
*25	Barrel
26	Cleaning rod thimble screw
27	Cleaning rod thimble
28	Cleaning rod
29	Cleaning rod spring
30	Tension adj tool





## SECTION 7

### RINGS & BASES

For more information, please visit our website at:  
[www.savagearms.com](http://www.savagearms.com)

### RINGS AND BASES FOR MOUNTING A SCOPE

The following Companies manufacturer *RINGS* and *BASES* that fit Savage firearms.

The manufacturer's listed below should be contacted for specific part numbers and information.

WEAVER MOUNTS  
P.O. Box 39  
Onalaska, WI 54650  
800-635-7656  
[www.weaver-mounts.com](http://www.weaver-mounts.com)

BURRIS  
331 East 8<sup>th</sup> Street  
Greeley, CO 80631  
970-356-1670  
[www.burrisoptics.com](http://www.burrisoptics.com)

KWIK-SITE  
5555 Treadwell  
Wayne, MI 48184  
734-326-1500  
[www.kwiksitecorp.com](http://www.kwiksitecorp.com)

MILLETT  
16131 Gothard Street  
Huntington Beach, CA 92647  
800-645-5388  
[www.milletsights.com](http://www.milletsights.com)

B-SQUARE  
P.O. Box 11281  
Fort Worth, TX 76110  
800-433-2909  
[www.b-square.com](http://www.b-square.com)

LEUPOLD  
14400 NW Greenbrier Fort Pkwy  
Beaverton, OR 97006  
503-526-1400  
[www.leupold.com](http://www.leupold.com)

## SECTION 8

### STATEMENT OF LIMITED WARRANTY

For more information, please visit our web site at:  
[www.savagearms.com](http://www.savagearms.com)

### STATEMENT OF LIMITED WARRANTY

Please complete the *WARRANTY REGISTRATION CARD* and return it to Savage Arms, Inc. within ten (10) days from the date of purchase.

Savage Arms, Inc. must be notified within one (1) year from the date of purchase of any defect in materials or workmanship encountered during normal use.

#### WHO IS COVERED?

- The original owner (with proof of purchase).

#### WHAT IS COVERED?

- Any defect in materials or workmanship performed at Savage Arms.

#### HOW LONG IS THE WARRANTY PERIOD?

- One (1) year from the date of purchase.

#### WHAT IS NOT COVERED?

#### ***PERSONAL INJURY, PROPERTY DAMAGE, AND/OR DAMAGE TO THE FIREARM CAUSED BY:***

- Negligence to provide proper care and maintenance.
- Alterations/modifications performed without the written authorization of Savage Arms, Inc. Service Department.
- Normal wear; tear; and/or corrosion.
- Accidental discharge, careless handling,

and/or misuse.

- Barrel obstructions.

#### EXCLUSIONS AND LIMITATIONS:

This *WARRANTY* and the remedies set forth herein are exclusive and take the place of all other expressed or implied *WARRANTIES* (including any implied *WARRANTY* of merchantability or fitness for any particular purpose which are disclaimed). No other representations or claims of any nature shall be binding on or obligate Savage Arms, Inc.

Savage Arms, Inc. excludes any incidental and consequential damages under this warranty. Some states do not allow exclusions or limitations on how long an implied warranty lasts, so the above limitations may not apply to you.

This *WARRANTY* gives you specific legal rights. You may have other rights, which will vary, from state to state.

#### RETURNING A FIREARM:

For *WARRANTY* claims, proof of purchase must accompany the firearm.

It is a violation of Federal Law to ship a firearm with live ammunition either in the box or in the firearm itself. If received, The Bureau of Alcohol, Tobacco, and Firearms must be notified!

Savage Arms, Inc, is not responsible for the loss or damage to any accessories shipped with the firearm.

If there is a question whether the firearm should be returned or parts could be purchased, please call 1-413-568-7001 between 9:00 am and 3:30 p.m. EST and ask for the Service/Warranty Department.

All firearms are to be sent to Savage Arms, Inc. at the owner's expense. Warranty repairs will be returned to the owner at Savage Arms, Inc. expense.

1. Pack the firearm in its original box if possible (or a similar suitable box), being careful to include any support pieces.

2. Enclose a brief note including:

- name, address and phone number of sender
- serial number of firearm
- description of the problem you are having
- bullet weight, bullet type, sabot, powder type and charge you are using
- any other information which you feel may be helpful.

3. Return to:

Savage Arms, Inc.  
100 Springdale Road  
Westfield, MA 01085  
Attn: Service Department

4. If there will be a charge involved for the repair, a quote will be sent within fourteen (14) working days.

· If there is no response from the quote within thirty (30) days, the firearm will be returned COD (\$20.00 Shipping/Handling).

· Firearms will be repaired typically 3 weeks after receipt of payment in the order they were received.

## SECTION 9

### FREQUENTLY ASKED QUESTIONS

#### FREQUENTLY ASKED QUESTIONS

For additional information, please see our new expanded FREQUENTLY ASKED QUESTION section on Muzzle Loaders at:  
[www.savagearms.com](http://www.savagearms.com).

#### How often and why must I lube the vent liner and breech plug?

With smokeless powder, it is a good practice to have the breech plug/vent liner removed and cleaned before storing for extended periods of time. In heavy use, a decrease in accuracy or ignition consistency may indicate time for the breech plug/vent liner to be cleaned. Black powder will require cleaning at the end of each shooting session (i.e. at the end of the day) while smokeless will allow much more shooting between cleanings. The cleaned vent liner and breech plug threads should be lightly coated before assembly with a seizure preventing compound (i.e. "Kleen-Bore" TW25 B). Use it very sparingly or it will wick into the barrel

and wet the powder - causing misfires.

#### **WARNING**

**CHECK BARREL WITH RAMROD TO INSURE THERE IS NO CHARGE IN RIFLE FIRST.**

Before loading a rifle removed from storage, it is a good practice to fire a primer only, checking for the muzzle blast on the ground. This will indicate that the ignition path is clear. **Be sure the muzzle is pointed in a safe direction and be aware that any debris in the line of the 'primer blast' may be projected in unknown directions at considerable force!**

#### What is the purpose of the vent liner?

The vent liner is the last constriction in the path of the flame from the primer and concentrates the flame into the powder charge. The vent liner should be replaced after approximately 200 shots or there is a noticeable decrease in accuracy or consistency of ignition. If not replaced, the flame will wear the 1/8" hex drive making it difficult to remove. The through hole should be cleaned with a short piece of .025" diameter wire or smaller.

#### Information on sabots

Many sabots designed for use with black powder may not withstand the smokeless powder pressures. Sabots may also be affected by ambient temperatures and will perform poorly in

very hot weather. The best sabots for smokeless powder are those designed for high pressures and made of harder plastic; usually called "magnum sabots". The sabot must have a good grip on the bullet and will require effort to push into the barrel. A loose fitting bullet and sabot will result in a loss of accuracy and very low velocity. Be sure the bullets and sabots match and provide a tight seal. With Magnum Muzzleloading Product sabots, too high a powder charge may "blow by" the sabot and reduce velocity, degrading accuracy. A good charge is one that shows a dull red flash at the muzzle, producing the highest velocity and best accuracy. With black powder/Pyrodex®, .429" to .430" (.44 caliber) bullets with their appropriate sabots can be used.

---

### **Loading powder**

All charges of smokeless powder should be checked with a smokeless powder scale or volume measures designed for smokeless powder. The more 'exact' the powder charge, the more consistent the groups will be. Varying charges from shot to shot will result in erratic groups. Black powder and bulk Pyrodex® should be loaded by volume. Try to hold the barrel vertical (and away from your face), pouring the powder down the center (to prevent it from clinging to the sides of the bore). Preload and identify the charges in plastic tubes for ease of loading in the field or at range.

---

### **CAUTION**

***DO NOT USE SMOKELESS POWDER IN ANY OTHER MUZZLELOADING FIREARM NOT SPECIFICALLY DESIGNED FOR ITS USE.***

---

## TROUBLESHOOTING

For more information, please visit our web site at: [www.savagearms.com](http://www.savagearms.com)

SYMPTOM	POSSIBLE CAUSE	SOLUTION
<b>MISFIRE</b>		
No charge/load		Check for load with ramrod (see INSTRUCTION MANUAL Figure 2)
No primer		Insert a #209 primer into the firing pin support
Oil left in the bore could moisten the powder		Remove load (see INSTRUCTION MANUAL for MISFIRE precautions and the proper disassembly procedure) and swab the bore with a clean dry patch
Oil blocking the vent liner or breech plug		Remove load (see INSTRUCTION MANUAL for MISFIRE precautions and the proper disassembly procedure) and clean the breech plug/vent liner
Defective primer		Remove defective primer (see INSTRUCTION MANUAL for MISFIRE precautions) and insert a new primer into the firing pin support
Wrong diameter bullet or sabot		See INSTRUCTION MANUAL for the suggested powder loads, bullet diameters, and required sabot
'Clogged' breech plug/vent liner		See INSTRUCTION MANUAL for "CLEANING INSTRUCTIONS" step #6
<b>BOLT HARD TO CLOSE</b>		
Rear action screw misaligned/improperly torqued		Loosen and retighten the rear action screw (See INSTRUCTION MANUAL "REASSEMBLING THE STOCK" and FIGURE 12)
Breech plug loose		Remove rear action screw, bolt, and retighten the breech plug (See INSTRUCTION MANUAL "DISASSEMBLY" / "REASSEMBLY")
Oversized Primer		Be sure that you are using the correct primer (Winchester 209 or Federal 209A). If the primer is oversized, try a new one from the tray of primers.
Foreign debris in/on the primer pocket or primer path		Visually inspect and remove any foreign debris from the primer pocket, bolt guide, or any other area that may restrict the proper fit of the primer in the primer pocket of the breech plug.
<b>LOSS OF ACCURACY</b>		
Incorrect powder load		See INSTRUCTION MANUAL for the suggested powder loads
Incorrect bullet/sabot		See INSTRUCTION MANUAL for the suggested bullet diameters and required sabot
Severely fouled barrel		See INSTRUCTION MANUAL Cleaning Instructions
Overheated barrel		Allow a few minutes of cooling when the barrel becomes hot to the touch
Loose stock		Tighten the front then rear stock/action screws to 25 inch pounds (see Figure 12)
'Clogged' breech plug/primer		See INSTRUCTION MANUAL for "CLEANING INSTRUCTIONS" step #6
Loose or damaged scope		Replace or tighten scope
<b>RAMROD DOES NOT STAY IN THE STOCK</b>		
Ramrod spring missing/damaged		Remove stock and assure ramrod spring is in its proper location



## **WARNING**

Children are attracted to and can operate firearms that can cause severe injury or death. Prevent child access by always keeping guns locked away and unloaded when not in use. If you keep a loaded firearm where a child obtains and improperly uses it, you may be fined or sent to prison.



## **ADVERTENCIA**

A los niños los atraen las armas de fuego y las pueden hacer funcionar. Ellos pueden causarse lesiones graves y la muerte. Evite que los niños tengan acceso a las armas de fuego guardándolas siempre con llave y descargadas cuando no las esté utilizando. Si usted tiene un arma de fuego cargada en un lugar en que un niño tiene acceso a ella y la usa indebidamente, le pueden dar una multa o enviarlo a la cárcel.



**Savage Arms**  
*The Definition of Accuracy*

100 Springdale Road  
Westfield, MA 01085

[www.savagearms.com](http://www.savagearms.com)