

INSTRUCTION MANUAL

# CZ 97



ČESKÁ ZBROJOVKA

**Before handling the pistol read this manual carefully and observe the following safety instructions.**

Improper and careless handling of the pistol could result in unintentional discharge and could cause injury, death or damage to property. The same consequences can be caused by unauthorised modifications or adjustments, corrosion, or use of non-standard or damaged ammunition. In these cases the manufacturer shall not be responsible in any manner whatsoever for the resultant consequences.

Before leaving the factory this pistol was tested, carefully inspected, and packed. CZ cannot accept responsibility for product handling while in transit, or upon leaving the factory. Therefore, please examine this pistol carefully at the time of purchase to ensure that it is unloaded and undamaged.

This instruction manual should always accompany this pistol and that even in the case of the loan or sale of this pistol.

## **CONTENTS**

SAFETY INSTRUCTIONS	16
PISTOL DESCRIPTION AND TERMINOLOGY	17
OPERATING INSTRUCTIONS	19
Ammunition	19
Removal of the Magazine	19
Magazine Loading	19
Pistol Loading	19
Reloading During Shooting	19
Unloading the Pistol	20
Engaging the Safety Mode	20
Loaded Chamber Indicator	20
Sight Adjustment	20
MAINTENANCE INSTRUCTIONS	21
Stripping for Cleaning - Disassembly	21
Firing Pin Disassembly	21
Magazine Disassembly	21
Cleaning the Pistol	22
Cleaning the Barrel Bore and the Cartridge Chamber	22
Cleaning of Other Pistol Parts	22
Preserving	22
TROUBLESHOOTING, CAUSES AND REMEDIES	23
ILLUSTRATION AND LIST OF PARTS	24
TECHNICAL SPECIFICATIONS	26
LIST OF ILLUSTRATIONS	26

**SAFETY INSTRUCTIONS**

Always follow the safety instructions for your safety and the safety of others.

1. Always handle your pistol as if it were loaded.
2. Never point your pistol at anything you do not intend to shoot.
3. Never take anyone's word that a gun is unloaded.
4. Always make sure that your pistol is not loaded before laying it down, or handing it to another person.
5. Always keep and carry your pistol empty, with the hammer forward except when you intend to shoot.
6. Never abuse your pistol by using it for any purpose other than shooting.
7. Never leave the pistol cocked and ready to fire.
8. Before loading your pistol be sure that the barrel bore, chamber, and action are clean and clear of obstructions. After shooting, clean the dirtied pistol as soon as possible.
9. Always use only clean, dry, original high quality commercially manufactured ammunition, which is appropriate to the caliber of your pistol.
10. Never drink alcoholic beverages or take drugs before or during shooting.
11. Always wear safety glasses and ear protection when shooting.
12. Always keep the safety on when the pistol is loaded and cocked, until you are ready to fire. Keep your pistol pointed in a safe direction when disengaging the manual safety.
13. Always keep clear and keep others clear of the ejection port.
14. Never squeeze the trigger or put your finger in the trigger guard until you are aiming at a target and ready to shoot.
15. Always be absolutely sure of your target, and the area behind it, before you squeeze the trigger. A bullet could travel through or past your target up to several hundred meters.
16. Never shoot at a hard surface such as rock, or a liquid surface such as water.
17. Never fire your pistol near an animal unless it is trained to accept the noise.
18. Never indulge in "horseplay" while holding your pistol.
19. Failure to fire: always hold the pistol, keeping it pointed towards the target, or a safe open area and wait 30 seconds when the pistol fails to fire. If a hangfire (slow ignition) has occurred, the round will fire within 30 seconds. If the round does not fire, remove the magazine, eject the round and examine the primer; if the firing pin indent on the primer is light, or off center, or non-existent, have the pistol examined by a competent gunsmith.
20. Always make sure your pistol is not loaded before cleaning, storing or travelling.

21. Always keep and store your pistol and ammunition in separate locked receptacles out of reach and sight of children and untrained people.
22. Never alter any parts of your pistol as the safety and proper function of your pistol could be seriously compromised.
23. Always be aware that corrosion, use of damaged ammunition, dropping the pistol on hard surfaces or other "coarse treatment" could cause damage you may not see. If something like this happens allow the pistol to be examined and tested by a competent gunsmith.

## PISTOL DESCRIPTION AND TERMINOLOGY

The names of basic pistol parts used in this Instruction Manual are presented in Fig. 1. Nomenclature of all CZ 97 parts are presented in the section *Illustration and List of Parts*.

The CZ 97 pistol is a semi-automatic handgun with locked breech. It is produced in several versions. Characteristic features of all versions are:

- large capacity double-column magazine
- comfortable grip and balance in either hand
- good results at instinctive shooting (without aiming)
- low trigger pull weight
- high accuracy of fire
- long service life
- high reliability
- the slide stays open after the last cartridge has been fired
- suitable for COMBAT shooting
- the sights are fitted with a three-dot illuminating system for better aiming in poor visibility conditions. Optional tritium or micrometrical sights can be fitted on request to the customer's specifications
- selective SA/DA firing mechanism operation

The CZ 97 incorporates several safety features designed for achieving supreme safety standard:

- The loaded chamber indicator indicates the presence of a cartridge in the chamber
- Safety notch on the hammer prevents inadvertent discharge
- The firing pin safety positively secures drop safety of the pistol
- The manual safety is designed in such a way that besides engaging the pistol's safety mode it also enables to carry the pistol with safety off and cartridge loaded in the chamber and at the same time to be safe for all normal handling

Comments:

*SA (Single Action)*

The trigger mechanism operates in a single action mode of fire. The hammer is cocked manually and then after pressing the trigger the pistol is fired. The trigger travel is short, and pull weight is low. After each discharge the hammer remains cocked.

*DA (Double Action)*

The trigger mechanism operates in a double action mode of fire. The hammer is cocked, released and the pistol fired by one pull of the trigger. The trigger travel is longer, and trigger pull weight is higher than at SA mode of fire.

*Safety Stop on the Hammer*

A half-cock safety notch is on the hammer so as to prevent it from striking the firing pin when the hammer is manually cocked, and a thumb could slip. When the hammer is on the safety stop, it is not leaning against the firing pin stop, but its position is further back.

*Firing Pin Safety*

The firing pin safety keeps the firing pin blocked until the trigger is pulled. This safety device minimises the risk of accidental discharge through mishandling such as when a loaded pistol is dropped.

## OPERATING INSTRUCTIONS

### Ammunition

Use only factory-manufactured ammunition of appropriate caliber, which are in compliance with CIP regulations (International Proof Commission for Firearms) or SAAMI (Sporting Arms and Ammunition Manufacturers' Institute Inc. of the United States). The use of other cartridges could damage the handgun or cause injury to the shooter.

For the CZ 97 pistol the use of ammunition with the revolver wadcutter type of bullet particularly LSWC (Lead Semi-Wadcutter) is not advisable. Use of these cartridges can cause a failure when feeding the cartridge from magazine into the chamber.

### Removal of the Magazine

Hold the pistol in your right/left hand and depress the magazine catch with the thumb/middle finger. The magazine will slightly protrude from its housing about 5 to 10 mm and then it can be removed with the other hand.

### Magazine Loading

With the open end uppermost, grasp the magazine in one hand. Place a cartridge on the magazine follower. Press the cartridge down and back until it touches the rear flat edge of the magazine (Fig. 2). Place the next cartridge on top of the previous cartridge and press down and back. We recommend that when some cartridges are already loaded in the magazine, depress them slightly with the thumb of the hand which holds the magazine.

The number of cartridges can be checked through the inspection holes in the sides of the magazine. Do not try to exceed the magazine capacity - doing so can cause a feeding failure.

### Pistol Loading

CAUTION:

ALWAYS MAKE SURE THE PISTOL IS POINTED IN A SAFE DIRECTION WHEN LOADING!

Insert a loaded magazine and ensure that it has engaged the magazine catch.

Hold the pistol by the grip with one hand, and with the thumb and index finger grasp the serrated finger grips on both sides of the slide. Retract the slide to the stop and allow it to snap forward (Fig. 3). This procedure cocks the hammer and inserts a cartridge into the chamber. The pistol is now ready to fire. If you do not intend to fire immediately, ensure the pistol safety by some of the methods mentioned in the section: *Engaging the Safety Mode*.

### Reloading During Shooting

When the last cartridge has been fired the slide will stay to the rear. Remove the emptied magazine and replace it with a loaded one. Thumb down the slide stop with the shooting hand (Fig. 4), or with the other hand draw back the slide and allow it to snap forward (Fig. 3). The pistol is again loaded and ready to fire.

## Unloading the Pistol

ALWAYS MAKE SURE THE PISTOL IS POINTED IN A SAFE DIRECTION!

- remove the magazine
- draw back the slide and verify the last cartridge has been extracted from the chamber and ejected
- let the slide snap fully forward
- depress the trigger (dry fire)

## Engaging the Safety Mode

Push the safety up to the Safety-On position (Fig. 5) until the red warning dot is covered. The safety in this position blocks the trigger mechanism and slide, thus preventing the pulling of the trigger and operating the slide. The safety can be engaged only when the hammer is cocked, and for this reason it is applied especially in the case of a short-term interruption of shooting.

Besides the method previously described it is possible to put the pistol into a safety mode and still be ready to fire immediately:

Load the pistol. Grasp the grip, POINT IN A SAFE DIRECTION. With thumb and index finger of the other hand hold the hammer firmly (Fig. 6), pull the trigger and release the hammer slowly and gradually until it rests on the firing pin stop. Release the trigger. Apply extreme caution when lowering the hammer to avoid an accidental discharge! We strongly recommend to practice this operation beforehand with the pistol unloaded.

In this state the pistol is safe for all normal handling and at the same time ready for immediate use. The design of this handgun incorporates the feature that the manual safety can not be applied when the hammer is not cocked in order not to reduce the readiness of the pistol for use by accidental engaging of the manual safety.

Please remember that the safest way to secure a pistol, is to unload it and store it in a safe place!

## Loaded Chamber Indicator

The protrusion of the loaded chamber indicator above the top surface of the slide indicates a cartridge loaded in the cartridge chamber. This protrusion can be checked both by sight and by touch.

## Sight Adjustment

The pistol sights were sighted in at the manufacturing plant at a distance of 25 m so that the mean point of impact approximately conforms to the point of aim.

Windage correction can be carried out by the drifting of the rear sight in the dovetail and then secured in its position by an indentation. Elevation correction is carried out by exchanging the rear sights for higher or lower sizes.

In case of need there is an option to exchange the usual rear sights for an adjustable sight of suitable type, or as the case may be to also exchange the front sight, which is secured by a roll pin. These adjustments should be entrusted to a competent gunsmith.

## MAINTENANCE INSTRUCTIONS

### Stripping for Cleaning - Disassembly

POINT YOUR PISTOL IN A SAFE DIRECTION!

1. Remove the magazine. The pistol must not be disassembled with the magazine inserted!
2. Put the safety to "OFF" position, in order to release the movement of the slide (not valid for versions with no manual safety).
3. MAKE SURE THAT THERE IS NO CARTRIDGE IN THE CHAMBER!
4. Retract the hammer slightly back and then release it, until it stops on half-cock (safety) notch position. In this state the handling which follows will be easier.
5. Put your left thumb through the trigger guard and with the other fingers grasp the top of the front part of the slide firmly (Fig. 7). Push the slide slightly back until the two vertical lines on the rear part of the frame and slide are in line with each other.
6. KEEPING THE LINES ALIGNED push (tap) the slide stop from the right hand side of the weapon. Remove the slide stop. The magazine base can be used to facilitate this operation (Fig. 8).
7. Pull the slide and the barrel forward off the frame.
8. Remove recoil spring and guide.
9. Slid the recoil spring housing out (Fig. 9).
10. Screw the barrel bushing off and take the barrel from the slide (Fig. 9).

No further disassembly is needed for routine maintenance. When a great number of cartridges has been fired, it is advisable to also disassemble the firing pin and magazine.

### Firing Pin Disassembly

Entrust this disassembly procedure and cleaning to a competent gunsmith!

### Magazine Disassembly

To remove the magazine base, push on the base lock which sticks out through a hole in the base and slide the base about 5 mm towards the front of the magazine. Cover the base with your thumb to prevent losing the magazine spring and with the other hand take off the base from its guiding rails. Be careful during the disassembly as the spring could fly out, or even cause an injury.

No further disassembly of your pistol is recommended. Should your pistol require adjustment or repair be sure the task is entrusted to a competent gunsmith!



## **Cleaning the Pistol**

Clean the pistol

- each time you use it
- if you get your pistol wet
- as soon as possible after shooting
- at least once a year in a temperate climate
- as often as once a month in a tropical climate, or other demanding environment.

## **Cleaning the Barrel Bore and the Cartridge Chamber**

If the pistol has not been fired or if only a few cartridges have been fired, clean the barrel bore and cartridge chamber by the clean patch attached to the cleaning rod. Repeat the cleaning, changing patches, until the last patch comes out clean.

When the barrel bore is very dirty, apply a gun cleaning solution using a cleaning brush. Let the solvent act for about 10 minutes (this time may vary depending on the solvent agent being used). Then thoroughly scrub out the barrel bore. Subsequently, dry the barrel bore and cartridge chamber with a clean patch and check that all powder residues, or fouling have been removed. If necessary repeat this procedure.

The cleaning rod and the brush must be inserted into the barrel bore from the chamber, to prevent wear or damage to the muzzle. Pass the brush all the way through the barrel bore before reversing the movement. If you try to change directions with the brush in the barrel, the brush could stick.

## **Cleaning of Other Pistol Parts**

Other parts of the pistol (including the external surfaces of the barrel) should be cleaned with a dry cloth, old toothbrush, brass bristle brush or a wooden scraper. Preserving oil or paraffin oil, can be used for proper cleaning. Never use the agent designed for barrel bore cleaning! These solutions could remain in the joints, and after some time could cause corrosion.

Check that cloth particles or brush bristles have not become lodged in any part of the pistol.

## **Preserving**

When the barrel bore, cartridge chamber, and all accessible parts are clean and dry, wipe these parts with a cloth soaked in gun oil or apply the oil in a spray. Remove all excess oil.

Before shooting always wipe the barrel bore dry. At very low temperatures remove the oil from all accessible parts or apply a lubricant prepared especially for these conditions.

Use thick preserving agents for example, preserving grease only for a long term storage in demanding climate environments, and before any use of the pistol it must be thoroughly removed from all parts of the firearm.

## TROUBLESHOOTING, CAUSES AND REMEDIES

If your pistol is properly used and maintained, malfunctions will rarely occur. However, if such a situation does occur, please observe the following instructions.

**CAUTION** - If a malfunction occurs, the possibility of unintentional discharge is substantially increased. For this reason, carefully observe the *Safety Instructions* already mentioned above. Keep the pistol pointed in a safe direction, do not turn the pistol against your body or anyone else's! Do not place your hands in front of the barrel! If you use your pistol for self defence, or in law enforcement, please acquire so-called "dummy cartridges" and practice fast clearing of malfunctions as described below.

<b>Malfunction</b>	<b>Possible Cause</b>	<b>Remedy</b>
A round has not been fed into the chamber or the slide has not fully locked with the barrel.	Magazine is not fully inserted or is damaged. The pistol or cartridges are fouled (dirty) or too heavily greased. The use of unsuitable cartridges	Insert magazine properly or change magazine. Clean the pistol and cartridges and wipe them dry or as case may be slightly lubricate. Use only recommended ammunition
Misfire	Defective cartridge  Firing pin hole fouled (dirty) or improper lubrication agent used under low temperatures conditions.	Pull the trigger again. If a discharge is not initiated, follow the Safety Instructions according to point 19. Disassemble and clean the firing pin or use a low temperature lubricant.
A shot sounds "weak" combined with failure to eject the cartridge case.	The primer has been activated but no powder load was inside the cartridge case.	Unload the pistol and check that the bullet is not lodged in the barrel. A subsequent shot could cause damage to the barrel.
The spent case has not been ejected.	Cartridge chamber, extractor or ammunition dirty, or unsuitable lubricant in low temperature environment.	Clean and wipe the pistol dry or lubricate lightly with a suitable agent. Use new and clean ammunition.

If you cannot clear away any malfunction in the manner described above, entrust the pistol to a competent gunsmith for inspection and repair.



1 Frame	34 Trigger Bar Spring
2 Slide Stop	35 Magazine Catch Spring Screw
3 Slide Stop Spring	36 Magazine Body
4 Slide Stop Spring Pin	37 Magazine Base
5 Trigger	38 Magazine Base Lock
6 Trigger Pin	39 Magazine Spring
7 Trigger Bar	40 Follower
8 Trigger Spring	41 Recoil Spring
9 Pin (3x)	42 Recoil Spring Guide
10 Ejector	43 Barrel
11 Sear	44 Slide
12 Sear Spring	45 Front Sight
13 Sear Spring Pin	46 Front Sight Pin
14 Firing Pin Block Lever	47 Loaded Chamber Indicator
15 Firing Pin Block Lever Spring	48 Loaded Chamber Indicator Spring
16 Hammer	49 Loaded Chamber Indicator Nut
17 Disconnecter	50 Extractor
18 Hammer Pin	51 Extractor Pin
19 Hammer Pin Retaining Peg	52 Extractor Spring
20 Main Spring Strut	53 Rear Sight
21 Main Spring	54 Firing Pin
22 Main Spring Plug	55 Firing Pin Spring
23 Main Spring Plug Pin	56 -
24 Magazine Brake	57 Firing Pin Roll Pin
25 Magazine Brake Pin	58 Firing Pin Block Stop
26 Grip Panel - Left	59 Firing Pin Block Stop Spring
27 Grip Panel - Right	60 -
28 Grip Panel Screw (2x)	61 -
29 Safety	62 -
30 Safety Detent Plunger	63 Recoil Spring Housing
31 Safety Detent Plunger Spring	64 Barrel Bushing
32 Magazine Catch	65 Barrel Stop Screw
33 Magazine Catch Spring	

*Comments:*

The numbers marked with dash (-) are stated here for the purpose of conformity with the lists of other pistol parts only.

## TECHNICAL SPECIFICATIONS

Caliber		.45 Auto (ACP)
Overall length	[mm]	212
Height	[mm]	150
Width (depends on grip panel type)	[mm]	~ 35
Weight with empty magazine	[g]	1150
Barrel length	[mm]	123
Sight radius	[mm]	161
Magazine capacity	[cartridges]	10
Trigger pull (DA)	[N]	max. 59
Trigger pull (SA)	[N]	15 - 25

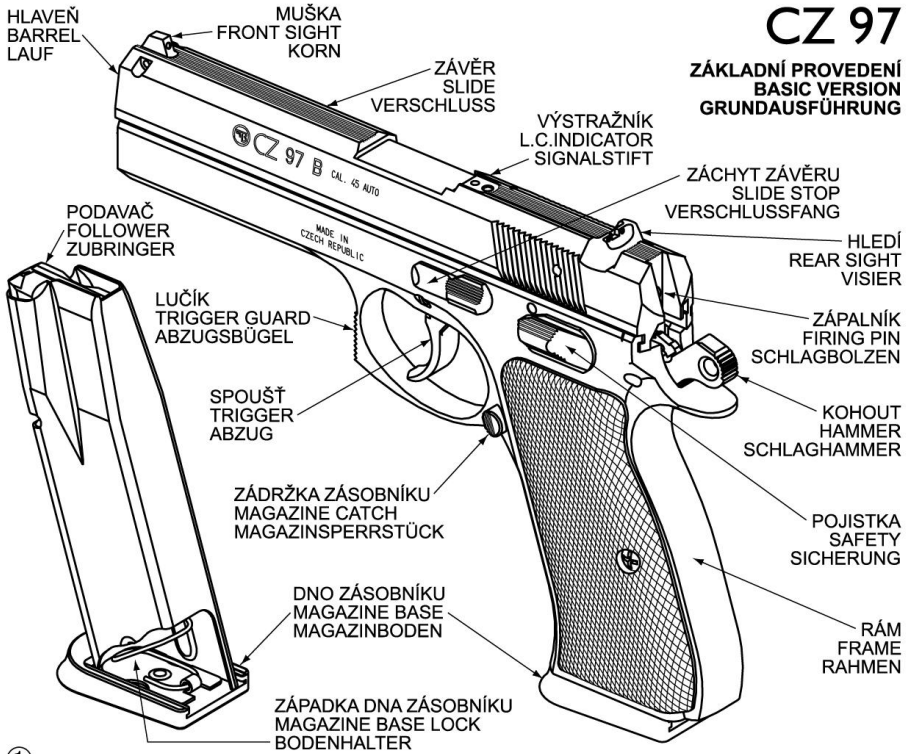
## LIST OF ILLUSTRATIONS

1. The names of basic parts
2. Magazine loading
3. Slide release from its "rear lock-up" position by its cocking and releasing
4. Slide release from its "rear lock-up" position by depressing slide stop
5. Shifting the safety to the "SAFETY-ON" position
6. Letting the hammer go forward to its rest position
7. Positioning of the slide during disassembly
8. Slide stop removal using the magazine base
9. Taking out the recoil spring housing and unscrewing of the barrel bushing

The Company, reserves the right to make any changes it thinks necessary to improve its models or to meet any requirements of manufacturing or commercial nature.

# CZ 97

ZÁKLADNÍ PŘEVODNÍ  
BASIC VERSION  
GRUNDAUSFÜHRUNG



①



②



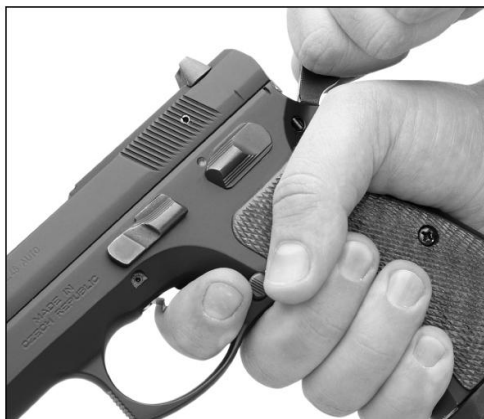
③



④



⑤



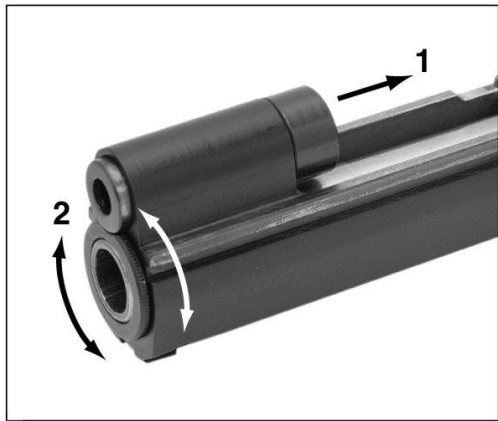
⑥



⑦



⑧



⑨