

INSTRUCTION MANUAL
CZ 75 KADET



 CZ
ČESKÁ ZBROJOVKA

Before handling the pistol read this manual carefully and observe the following safety instructions.

Improper and careless handling of the pistol could result in unintentional discharge and could cause injury, death or damage to property. The same consequences can be caused by an unauthorized modifications or adjustments, corrosion, or use of non-standard or damaged ammunition. In these cases the manufacturer shall not be responsible in any manner whatsoever for the resultant consequences.

Before leaving the factory this pistol was tested, carefully inspected, and packed. CZ cannot accept responsibility for product handling while in transit, or upon leaving the factory. Therefore, please examine this pistol carefully at the time of purchase to ensure that it is unloaded and undamaged.

This instruction manual should always accompany this pistol and that even in the case of the loan or sale of this pistol .

CONTENTS

SAFETY INSTRUCTIONS	16
PISTOL DESCRIPTION AND TERMINOLOGY	17
OPERATING INSTRUCTIONS	17
Ammunition	17
Removal of the magazine	17
Magazine Loading	17
Pistol Loading	18
Reloading During Shooting	18
Unloading the Pistol	18
Engaging the Safety Mode	18
Sight Adjustment	19
MAINTENANCE INSTRUCTIONS	19
Stripping for Cleaning - Disassembly	19
Firing Pin Disassembly	19
Magazine Disassembly	20
Cleaning of the Pistol	20
Cleaning of the Barrel Bore and of the Cartridge Chamber	20
Cleaning of Other Pistol Parts	20
Preserving	20
TROUBLESHOOTING, CAUSES AND REMEDIES	21
ILLUSTRATION AND LIST OF PARTS	22
INSTRUCTIONS FOR FITTING THE KADET ADAPTER	24
TECHNICAL SPECIFICATIONS	26
THE LIST OF ILLUSTRATIONS	26

SAFETY INSTRUCTIONS

Always follow the safety instructions for your safety and the safety of others.

1. Always handle your pistol as if it were loaded.
 2. Never point your pistol at anything you do not intend to shoot.
 3. Never take anyone's word that a gun is unloaded.
 4. Always make sure that your pistol is not loaded before laying it down, or handing it to another person.
 5. Always keep and carry your pistol empty, with the hammer forward except when you intend to shoot.
 6. Never abuse your pistol by using it for any purpose other than shooting.
 7. Never leave the pistol cocked and ready to fire.
 8. Prior to loading the pistol make sure that barrel bore, chamber, and action are clean and clear of obstructions. After shooting clean a dirtied pistol as soon as possible.
 9. Always use only clean, dry, original high quality commercially manufactured ammunition, which is appropriate to the caliber of your pistol.
 10. Never drink alcoholic beverages or take drugs before or during shooting.
 11. Always wear safety glasses and ear protection when shooting.
 12. Always keep the safety on when the pistol is loaded and cocked, until you are ready to fire. Keep the pistol pointed in a safe direction when disengaging the safety.
 13. Always keep clear and keep others clear of the ejection port.
 14. Never squeeze the trigger or put your finger in the trigger guard until you are aiming at a target and ready to shoot.
 15. Always be absolutely sure of your target, and the area behind it, before you squeeze the trigger. A bullet could travel through or past your target up to several hundred meters.
 16. Never shoot at a hard surface such as rock, or a liquid surface such as water.
 17. Never fire your pistol near an animal unless it is trained to accept the noise .
 18. Never indulge in "horseplay" while holding your pistol.
 19. Failure to fire: always hold the pistol, keeping it pointed towards the target, or a safe open area and wait 30 seconds when the pistol fails to fire. If a hangfire (slow ignition) has occurred, the round will fire within 30 seconds. If the round does not fire, remove the magazine, eject the round and examine the primer; if the firing pin indent on the primer is light, or off center, or non-existent, have the pistol examined by a competent gunsmith.
 20. Always make sure your pistol is not loaded before cleaning, storing or travelling.
 21. Always keep and store your pistol and ammunition in separate locked receptacles out of reach and sight of children and untrained people.
 22. Never alter any parts of your pistol as the safety and proper function of your pistol could be seriously compromised.
 23. Always be aware that corrosion, use of damaged ammunition, dropping the pistol on hard surfaces or other "coarse treatment" could cause a damage you may not see. If something like this happens allow the pistol to be examined and tested by a competent gunsmith.
-

PISTOL DESCRIPTION AND TERMINOLOGY

The names of basic pistol parts used in this Instruction Manual are presented in Fig. 1. Nomenclature of all pistol parts are presented in the section *Illustration and List of Parts*.

The CZ 75 KADET conversion kit is a separate accessory for the CZ 75/85 pistol series, allowing the firing of .22 LR caliber cartridges. It comes in the following variants:

1. An individual adapter assembly, which can be used after fitting of appropriate surfaces on the adapter housing, to the frame of any CZ 75/85 pistol.
2. The latest model CZ 75/85 in .22 LR cal. pistol.
3. The CZ 75/85 pistol .22 LR cal. (in 9 mm Luger, 9x21 or .40 S&W calibres), with the CZ 75/85 Kadet adapter set kit.

Characteristic features of all variants are:

- retention of all the characteristic features of the CZ 75, 85 line of pistols
- economical shooting, especially advantageous during practicing
- a good grip in either hand
- low trigger pull weight
- high accuracy of fire
- long service life
- high reliability
- easy to adjust open sights
- suitable for COMBAT shooting practice

OPERATING INSTRUCTIONS

Ammunition

Use only factory-manufactured standard ammunition of appropriate caliber, which are in compliance with CIP regulations (International Proof Commission for Firearms) or SAAMI (Sporting Arms and Ammunition Manufacturers' Institute Inc. of the United States). The use of other cartridges could damage the handgun or cause malfunctions or injury to the shooter.

Removal of the magazine

Hold the pistol in your right/left hand and depress the magazine catch with the thumb/middle finger and with other hand remove the magazine.

Magazine Loading

With the open end uppermost, grasp the magazine in one hand. Place a cartridge on the magazine follower (Fig. 2). Press the cartridge down and back until it touches the rear flat edge of the magazine. Place the next cartridge on top of the previous cartridge and press down and back. We recommend that when some cartridges are already loaded in the magazine, depress them slightly with the thumb of the hand which holds the magazine.

The number of cartridges can be checked through the inspection holes in the sides of the magazine. Do not try to exceed the magazine capacity - doing so can cause a feeding failure.

Pistol Loading

ALWAYS MAKE SURE THE PISTOL IS POINTED IN A SAFE DIRECTION WHEN LOADING!

Insert a loaded magazine and ensure that it has engaged the magazine catch.

Hold the pistol by the grip with one hand and with the thumb and index finger grasp the serrated finger grips on both sides of the slide. Retract the slide to the stop and allow it to snap forward (Fig. 3). This procedure cocks the hammer and inserts a cartridge into the chamber. The pistol is now ready to fire. If you do not intend to fire immediately ensure the pistol safety by some of the methods mentioned in the section *Engaging the Safety Mode*.

Reloading During Shooting

When the last cartridge has been fired the slide will stay to the rear. Remove the emptied magazine and replace it with a loaded one. Thumb down the slide stop with the shooting hand (Fig. 4), or with the other hand draw back the slide and allow it to snap forward (Fig. 3).

The pistol is loaded again and ready to fire.

Unloading the Pistol

ALWAYS MAKE SURE THE PISTOL IS POINTED IN A SAFE DIRECTION!

- remove the magazine
- draw back the slide and verify the last cartridge has been extracted from the chamber and ejected
- let the slide snap fully forward
- depressing the trigger (dry fire)

Engaging the Safety Mode

Push the safety up to the Safety-On position (Fig. 5) until the red warning dot is covered. The safety in this position blocks the trigger mechanism and slide, thus preventing the pulling of the trigger and operating the slide. The safety can be engaged only when the hammer is cocked, and for this reason it is applied especially in the case of a short-term interruption of shooting.

Besides the method previously described it is possible to put the pistol into a safety mode and still be ready to fire immediately using one of the methods described below:

Load the pistol. Grasp the grip, ALWAYS MAKING SURE THE PISTOL IS POINTED IN A SAFE DIRECTION. With thumb and index finger of the other hand hold the hammer firmly (Fig. 6), pull the trigger and release the hammer slowly and gradually until it rests on the firing pin stop. Release the trigger. This procedure must be carried out with extreme caution in order that inadvertent discharge cannot occur! We recommend practicing this operation beforehand with the pistol unloaded!

In this state the pistol is safe for all normal handling and at the same time ready for immediate use. The design of this handgun incorporates the feature that the manual safety can not be applied when the hammer is not cocked in order not to reduce the readiness of the pistol for use by accidental engaging of the manual safety.

Please remember that the safest way to secure a pistol, is to unload it and store it in a safe place!

Sight Adjustment

The pistol was "shot-in" at the manufacturing plant at a distance of 25 m so that the mean point of impact approximately conforms to the point of aim.

Corrections for windage and elevation can be carried out through the use of the micrometer screws of the adjustable rear sight (Fig. 7). The screw for elevation correction is marked with an arrow and the UP word; the screw for windage correction is marked with an arrow and the letter R (RIGHT). ATTENTION - the right hand side of the screw is designed for use in corrections. The left hand end intentionally has a narrower slot. So that the screwdriver enclosed will not fit. The screws are fixed by spring loaded ball bearings, which create the divisions, turning of the screw by one division, shifts the point of impact at 25 m approx. 0.7 cm.

NOTE:

Do not pointlessly dry fire (without cartridges) the pistol so as to avoid damage to the edges of the cartridge chamber.

MAINTENANCE INSTRUCTIONS

Stripping for Cleaning - Disassembly

POINT YOUR PISTOL IN A SAFE DIRECTION!

1. Remove the magazine. The pistol with the magazine inserted can not be disassembled.
2. Shift the safety to Safety-Off position in order that the slide can be manipulated.
3. CHECK FOR YOURSELF THAT THE CARTRIDGE CHAMBER IS EMPTY!
4. Rotate the hammer slightly backwards until it is caught by the hammer safety notch. All further procedures will thus be performed more conveniently.
5. Embrace the slide housing with the left hand, and push the slide slightly back with the other hand until the two vertical lines on the rear part of the frame and slide are in line with each other. Hold the slide in this position using the left thumb (Fig. 8).
6. KEEPING THE LINES ALIGNED, push (tap) the slide stop from the right-hand side of the weapon, using the magazine base corner for example. Remove the slide stop from the left-hand side.
7. Slide out the entire adapter in a forward direction.
8. Take the recoil spring and its guide rod out from the adapter, and finally, slide out the slide.

No further disassembly is needed for routine maintenance. When a great number of cartridges has been fired, it is advisable to also clean firing pin and magazine.

Firing Pin Disassembly

Push in the rear end of firing pin using a suitable tool, below the level of the firing pin stop, and shift the firing pin stop approx. 2 mm down (Fig. 9). Then cover the firing pin stop with your thumb in order not to lose the spring loaded firing pin and with the other hand pull the firing pin stop completely off the slide. Be very careful at this stage of the disassembly procedure, as the firing pin is spring loaded and could fly out, getting lost, or even causing injury.

Magazine Disassembly

To remove the magazine base, push on the base lock which sticks out through a hole in the base and slide the base about 5 mm towards the back of the magazine. Cover the base lock with your thumb to prevent losing the magazine spring and with the other hand take off the base from its guiding rails. Be careful during the disassembly as the base lock and the spring could fly out, or even cause an injury.

WARNING:

No further disassembly for any parts or components of the pistol is recommended. Should your pistol require adjustment or repair be sure the task is entrusted to a competent gunsmith!

Cleaning of the Pistol

Clean the pistol

- each time you use it
- if you get your pistol wet
- as soon as possible after shooting
- at least once a year in a temperate climate
- as often as once a month in a tropical climate, or other demanding environment

Cleaning of the Barrel Bore and of the Cartridge Chamber

If the pistol has not been fired or if only a few cartridges has been fired clean the barrel bore and cartridge chamber by the clean patch attached to the cleaning rod.

When the barrel bore is very dirty, apply a gun cleaning solution using cleaning brush. Let the solvent act for about 10 minutes (this time may vary depending on the solvent agent being used). Then thoroughly scrub out the barrel bore. Subsequently, dry the barrel bore and cartridge chamber with a clean patch and check that all powder residues, or fouling have been removed. If necessary repeat this procedure.

The cleaning rod and the brush must be inserted into the barrel bore from the chamber, to prevent wear or damage to the muzzle. Pass the brush all the way through the barrel bore before reversing the movement. If you try to change directions with the brush in the barrel, the brush could stick.

Cleaning of Other Pistol Parts

Other parts of the pistol can be cleaned with a dry cloth, old toothbrush, copper bristle brush or a wooden scraper. Preserving oil or paraffin oil, can be used for proper cleaning. Never use the agent designed for barrel bore cleaning! These solutions could remain in the joints, and after some time could cause corrosion.

Check that cloth particles or brush bristles have not become lodged in any part of the pistol.

Preserving

When the barrel bore, cartridge chamber, and all accessible parts are clean and dry, wipe these parts with a cloth soaked in gun oil or apply the oil in a spray. Remove all excess oil.

Before the shooting always wipe the barrel bore dry. At very low temperatures remove the oil from all accessible parts or apply a lubricant prepared especially for these conditions.

Use thick preserving agents for example, preserving grease only for long term storage in demanding climate environments, and before any use of the pistol it must be thoroughly removed from all parts of the firearm.

TROUBLESHOOTING, CAUSES AND REMEDIES

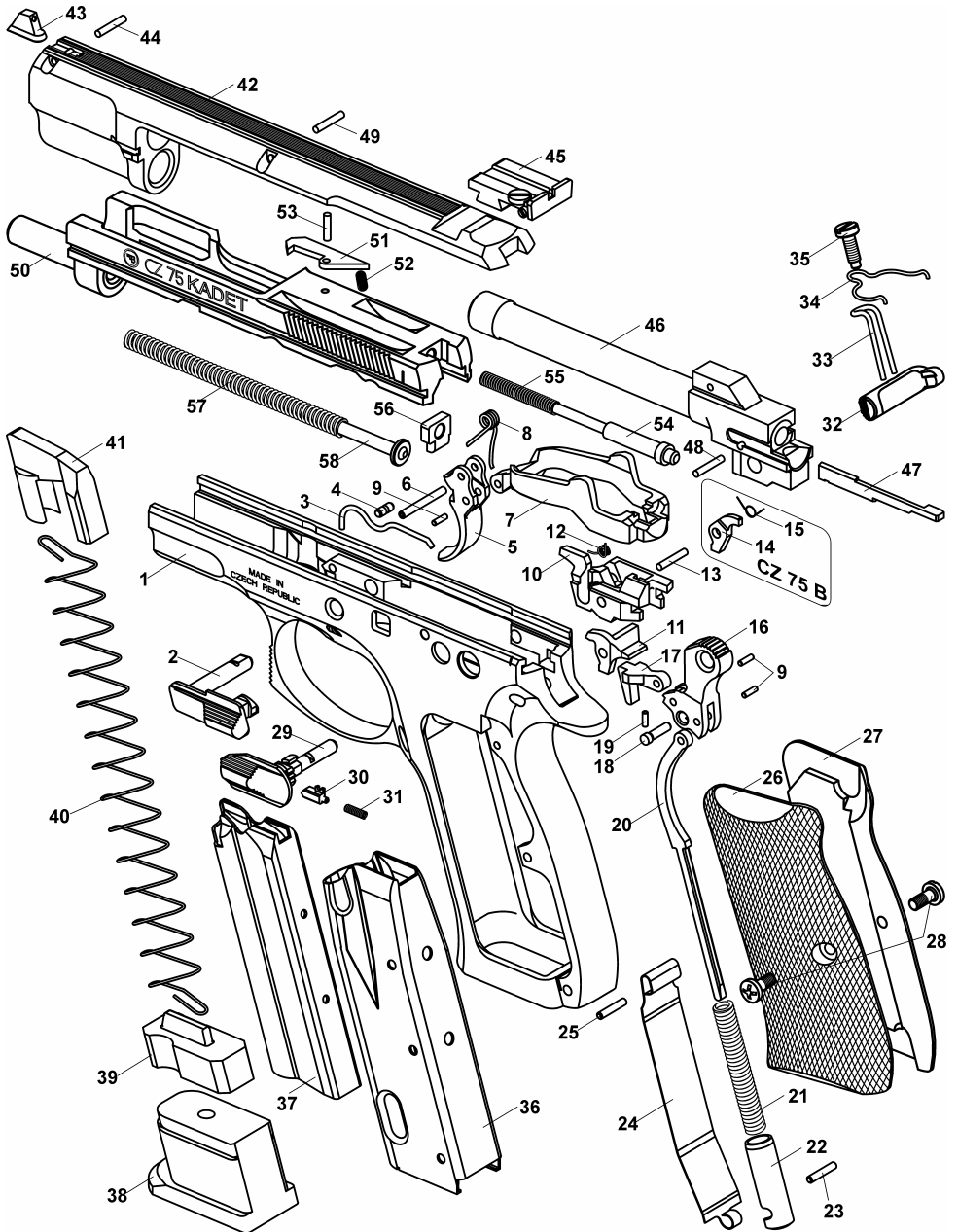
If your pistol is properly used and maintained, malfunctions will rarely occur. However, if such a situation does occur, please observe the following instructions.

CAUTION - If a malfunction occurs, the possibility of unintentional discharge is substantially increased. For this reason, carefully observe the *Safety Instructions* already mentioned above. Keep the pistol pointed in a safe direction, do not turn the pistol against your body or anyone else's! Do not place your hands in front of the barrel!

Malfunction	Possible Cause	Remedy
A round has not been fed into the chamber or the slide has not fully locked with the barrel.	Magazine is not fully inserted or is damaged. The pistol or cartridges are fouled (dirty) or too heavily greased. The use of unsuitable cartridges. Damage to the edges of the cartridge chamber.	Insert magazine properly or change magazine. Clean the pistol and cartridges and wipe them dry or as case may be slightly lubricate. Use only recommended ammunition. Entrust the pistol to a competent gunsmith.
Misfire	Defective cartridge Firing pin hole fouled (dirty) or improper lubrication agent used under low temperature conditions.	Pull the trigger again. If a discharge is not initiated, follow the Safety Instructions according to point 19. Disassemble and clean the firing pin or use a low temperature lubricant.
A shot sounds "weak" combined with failure to eject the cartridge case.	The primer has been activated but no powder load was inside the cartridge case.	Unload the pistol and check that the bullet is not lodged in the barrel. A subsequent shot could cause damage to the barrel.
The spent case has not been ejected.	Cartridge chamber, extractor or ammunition dirty, or unsuitable lubricant in low temperature environment.	Clean and wipe the pistol dry or lubricate lightly with a suitable agent. Use new and clean ammunition.

If you cannot clear away any malfunction in the manner described above, entrust the pistol to a competent gunsmith for inspection and repair .

ILLUSTRATION AND LIST OF PARTS



1 Frame	30 Safety Detent Plunger
2 Slide Stop	31 Safety Plunger Spring
3 Slide Stop Spring	32 Magazine Catch
4 Slide Stop Spring Pin	33 Magazine Catch Spring
5 Trigger	34 Trigger Bar Spring
6 Trigger Pin	35 Magazine Catch Spring Screw
7 Trigger Bar	36 Magazine Body
8 Trigger Spring	37 Magazine Insert
9 Pin (3x)	38 Magazine Base
10 Ejector	39 Magazine Base Lock
11 Sear	40 Magazine Spring
12 Sear Spring	41 Follower
13 Sear Pin	42 Slide Housing
14 Blocking Lever	43 Front Sight
15 Blocking Lever Spring	44 Front Sight Pin
16 Hammer	45 Adjustable Rear Sight
17 Disconnecter	46 Barrel
18 Hammer Pin	47 Adapter Ejector
19 Hammer Pin Retainer	48 Pin
20 Main Spring Strut	49 Barrel Pin
21 Main Spring	50 Slide
22 Main Spring Plug	51 Extractor
23 Main Spring Plug Pin	52 Extractor Spring
24 Flat Spring	53 Extractor Pin
25 Flat Spring Pin	54 Firing Pin
26 Left Grip Panel	55 Firing Pin Spring
27 Right Grip Panel	56 Firing Pin Stop
28 Grip Screw (2x)	57 Recoil Spring
29 Safety	58 Recoil Spring Guide

The Company, reserves the right to make any changes it thinks necessary to improve its models or to meet any requirements of manufacturing or commercial nature.

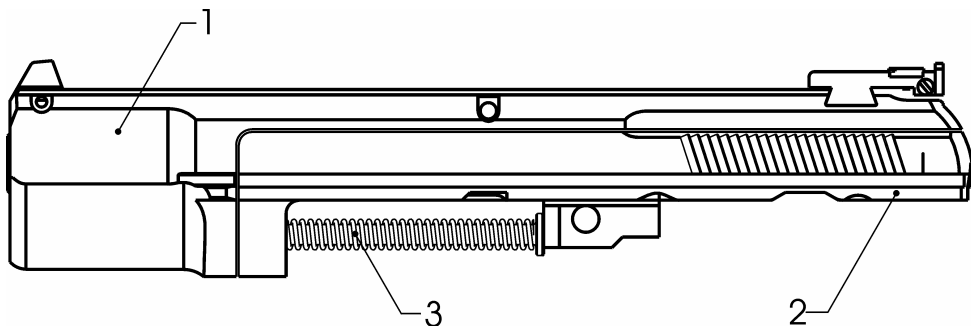
INSTRUCTIONS FOR FITTING THE KADET ADAPTER

Fitting of the adapter to the CZ 75/85 pistol should be done by an authorized armourer or directly at the manufacturer's plant.

All operations performed during fitting of the adapter must be done only with an unloaded firearm.

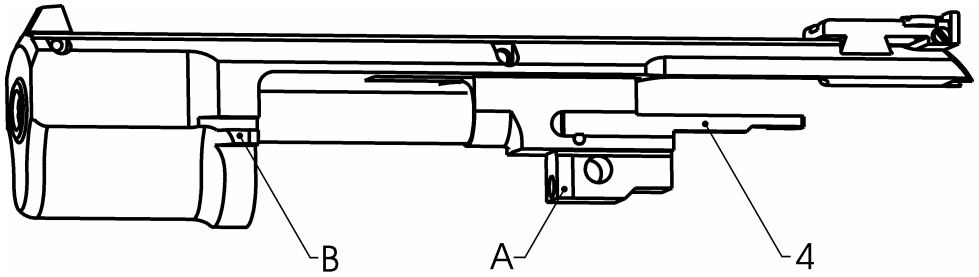
Do not pointlessly dry fire (without cartridges) the pistol so as to avoid damage to the edges of the cartridge chamber.

To ensure correct functioning and high accuracy of fire, it is necessary to fit the CZ 75 KADET adapter with minimal clearances in the guide rails in the pistol on which the adapter will be used. The actual procedures are described below.



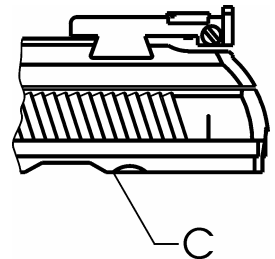
⑩

1. Remove the slide from the pistol in the usual manner, as for cleaning of the pistol.
2. Prepare the adapter for mounting
 - take out the recoil spring **3** with recoil spring guide (Fig. 10) by compressing it, followed by tilting it, and then remove it from the slide **2**
 - pull the slide **2** to the rear until it is freed, and take it off in a direction perpendicular to the axis of the barrel. Be careful not to damage the ejector **4** (Fig. 11).
3. File the surface **A** of the adapter (Fig. 11) to fit into the width of the rail in the frame of the pistol barrel seating in such a way that the clearance between the barrel and frame be as minimal as possible.
4. Fit the **B** surfaces by filing off of additional material of the housing on the side as necessary, in such a way that the housing can be slid at point **B** to the guiding rails of the pistol frame with the clearance set at the minimum. With a view that the mounting and dismounting of the adapter from the pistol frame must be both easy and comfortable. Make sure that the slide stop can be fully inserted into pistol frame complemented with mounted adapter.



⑪

5. Assemble the adapter performing the steps of this instruction manual as for point 2 but in reverse order.
6. The assembled adapter should be slid in to the pistol frame in a similar manner as the original slide, in such a way as to align the hole in the lower part of the barrel to correspond with the hole for the slide stop in the pistol frame.
7. Insert the slide stop into its hole, in accordance with point 6 above, so deep ly that the pin of the slide stop engages the opposite hole in the frame.
8. Cock the hammer to the safety notch or to its rear position. Shift the slide adapter **2** to the rear in such a way to align the lines (Fig. 7) on the left side of the pistol frame and slide adapter. By careful tapping properly seat the slide stop on the pistol frame.
9. Carefully decock the hammer to its forward (released) position.
10. Retract the slide **2** to its rear stop to check its free movement and proper function of the trigger mechanism. When dry firing, hold the hammer with your thumb to prevent the hammer falling with its full energy on the firing pin.
11. Insert a spent cartridge case into the cartridge chamber, close the slide, leave the hammer cocked, and check if the pistol safety can be shifted to its Safety-On. If this is not possible file off Edge **C** (Fig. 12).



⑫

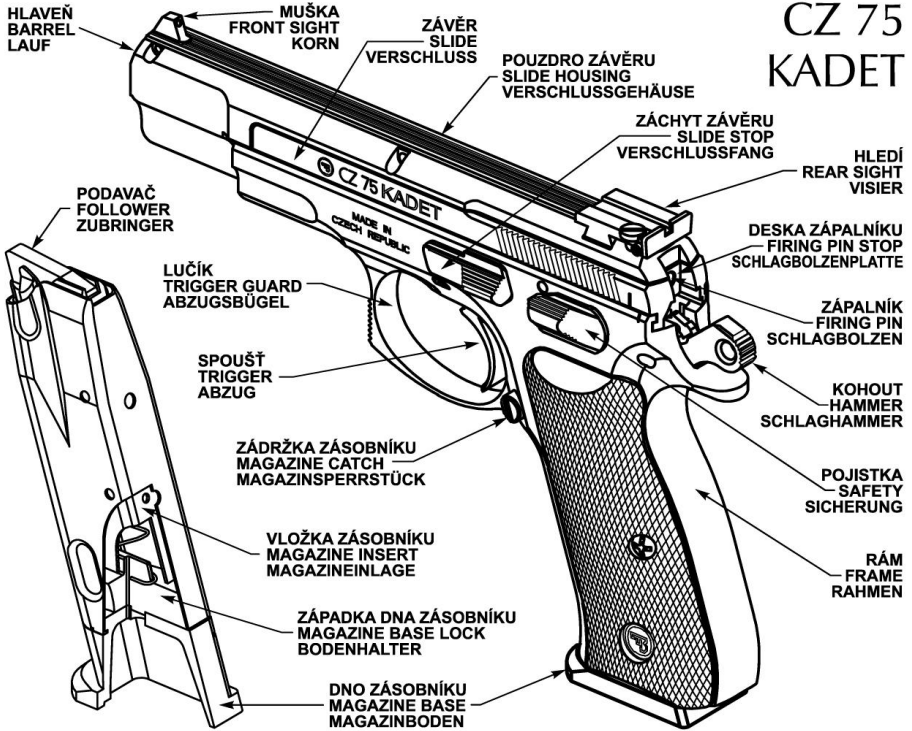
TECHNICAL SPECIFICATIONS

Model	CZ 75 KADET	ADAPTER CZ 75
Caliber	.22 LR	.22 LR
Overall length [mm]	206	187
Height [mm]	139	41
Width (*depends on grip panel type) [mm]	~ 35 *	23.5
Weight [g]	1080	475
Weight of empty magazine [g]	130	130
Barrel length [mm]	124	124
Sight radius [mm]	165	165
Magazine capacity [cartridges]	10	10

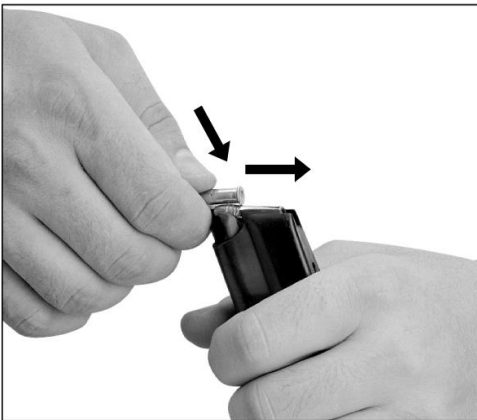
THE LIST OF ILLUSTRATIONS

1. The names of basic parts
2. Magazine loading
3. Cocking of the slide
4. Slide release from its rear position by depressing the slide stop
5. Putting the safety to its Safety-On mode
6. Letting the hammer go forward to its rest position
7. Micrometre adjustable rear sight
8. Preparing of the pistol for disassembly
9. Firing pin disassembly
10. Adapter basic parts
11. Surfaces requiring adjustment
12. Manual safety slot adjustment

CZ 75 KADET



①



②



③



④



⑤



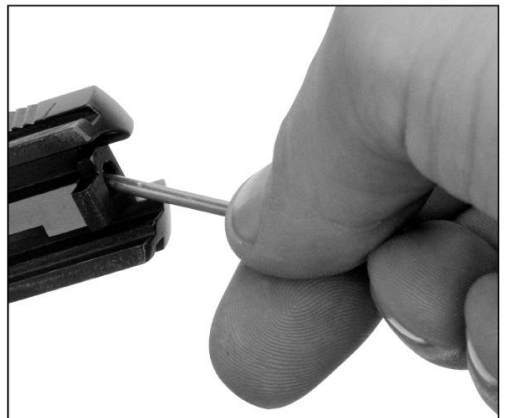
⑥



⑦



⑧



⑨