

SIGARMS®

sig pro

SP2340

SP2009



Handling and Safety Instructions

WARNING

Please read and understand the instructions and procedures outlined in this manual before using this firearm.

If you have any questions, please call or write:

SIGARMS Inc.
18 Industrial Drive
Exeter, NH 03833
(603) 772 2302

WARNING

Always use the **decocking lever** to decock your SIG SAUER pistol. This is the only way to safely lower the hammer from the cocked position and prevent an accidental discharge. This warning applies to all pistols with decocking levers.

The positive way to safely lower the hammer is by use of the decocking lever. Never lower the hammer by pulling the trigger and attempting to ease the hammer forward manually. Manually lowering the hammer is dangerous and prevents full application of the pistol's safety features.

The decocking lever is the only proper means of lowering the hammer and assuring that the hammer rests in the intercept notch.

Again, **DO NOT THUMB THE HAMMER DOWN:** the consequence can be serious injury or death - **only and ALWAYS use the decocking lever!**

**You should become familiar with your pistol and its operation before using any live ammunition or actual shooting.
Study the instructions carefully and make sure you understand the pistol's operating guidelines.**

Table of Contents

1	General Instructions	2	8	Function of the Pistol	21
2	Safety Regulations	3	8.1	Function sequence when loading	21
3	Product Description	4	8.1.1	Magazine inserted	21
3.1	Main parts	4	8.1.2	Function sequence when loading	22
3.2	Main features	5	8.2	Function sequence when decocking	23
3.3	Scope of supply	5	8.2.1	Hammer decocking	23
4	Transporting the Pistol	6	8.3	Function sequence when firing in "Double Action" mode	24
5	Handling the Pistol	6	8.3.1	Hammer cocking with the trigger	24
5.1	General remarks	6	8.3.2	Firing the pistol	25
5.2	Initial preparation	6	8.3.3	Function sequence at shot discharge	26
5.3	Ammunition	6	8.4	Function sequence at case ejection and automatic reloading	27
5.4	Loading the magazine	7	8.4.1	Unlocking	27
5.5	Loading the pistol (ready to fire)	7	8.4.2	Function sequence at case ejection and hammer cocking	28
5.6	Discharging a shot	8	8.5	Function sequence when firing in "Single Action" mode	29
5.7	Reloading during shooting	9	8.6	Function sequence after discharge of last round	30
5.8	Unloading the pistol	9	9	Pistol Service and Repairs	31
5.8.1	Unloading the pistol, magazine not empty	9	9.1	Cause and correction of malfunctions	31
5.8.2	Unloading the pistol, magazine empty, slide open	10	9.2	Safekeeping and storage of the pistol	32
6	Sight Correction	11	9.3	Shipping the pistol	32
6.1	Sight correction for windage	11	10	Technical Specifications / Accessories	34
6.2	Sight correction for elevation	11	10.1	SP 2009 / SP 2340	34
6.3	Rear and front sight variants	12	11	Spare Parts List	35
6.4	Rear and front sight keys	12	11.1	SP 2009 / SP 2340	35
7	Maintenance of the Pistol	13			
7.1	Stripping the pistol	13			
7.2	Cleaning the pistol	16			
7.3	Assembling the pistol	18			
7.4	Verification of functions	18			
7.5	Care of the pistol	20			

1 General Instructions

Be sure to read through these instructions carefully before any manipulation on this **sig pro™** pistol.

Understanding these instructions and the technically correct implementation of the information contained therein are imperative to correct preparation and safety during handling, care and maintenance of this **sig pro™** pistol. Do not use the pistol until you have fully understood all safety instructions and its handling procedures. Should you require further information, do not hesitate to contact your dealer, importer or the manufacturer.

Please observe all local and national legislation governing the ownership, carrying and use of firearms.

Be aware that these pistols, like all firearms, are dangerous. Consequently, the pistol accompanying these Handling and Safety Instructions has been sold under the express understanding that the manufacturer and the importer of the pistol decline any responsibility for consequences of manipulations with or on the pistol. This applies in particular to liability for bodily harm or damage to property resulting in whole or in part from:

- discharge with criminal intent or through negligence,
- improper or careless handling,

- defective, incorrect, hand-loaded or reloaded ammunition,
- inadequate care of the pistol (e.g. corrosion, damage),
- disregard of malfunctions,
- resale in contradiction of regional legislation,
- other circumstances beyond our direct and immediate control.

These limitations apply regardless of whether liability is asserted on the basis of contract, negligence or strict liability (including any failure to warn).

The manufacturer and the importers are not liable for incidental or consequential damages such as loss of use of property, commercial loss or loss of earnings and profits.

California Proposition 65 Warning

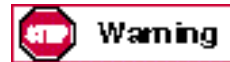
“Discharging firearms in poorly ventilated areas, cleaning firearms, or handling ammunition may result in exposure to lead and other substances known to cause birth defects, reproductive harm, and other serious physical injury. Have adequate ventilation at all times. Wash hands thoroughly after exposure.”

2 Safety Regulations

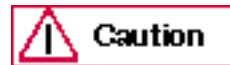
- ▲ Never use the pistol when under the influence of alcohol or drugs, during illness or other complaints; they can influence your judgement and reflexes.
- ▲ Always consider the pistol as loaded and unsafe until you have verified that it is not through the unloading procedure (see Sect. 5.8).
- ▲ During all manipulations, keep the muzzle of the pistol pointed in a safe direction. Safe directions are defined as areas where there are no people, other living creatures or other people's property.
- ▲ Never point the pistol at doors, window panes, walls, concrete, stones or other flat surfaces (including water). Shots can penetrate such surfaces, or be deflected into unsafe directions by them.
- ▲ Never aim at yourself or other living creatures.
- ▲ Never rely on safety mechanisms. They are never a substitute for careful and correct handling of the pistol.
- ▲ Always handle your pistol as if the safety mechanisms were defective. The best safety device is correct, well-exercised and secure handling of the pistol.
- ▲ Never shoot a pistol into which there has been ingress of water, sand, dirt or other foreign bodies.
- ▲ Never decock the hammer by restraining the hammer and simultaneously pulling the trigger.
- ▲ Never let a loaded pistol out of your hands.
- ▲ Always unload the pistol immediately after shooting, before putting it down, holstering it or handing it to another authorized person.

- ▲ Never hand over the pistol to any person who has not thoroughly familiarized himself or herself with the safety regulations and handling of the pistol by reading the accompanying instructions.
- ▲ Never leave the pistol unattended. Unauthorized persons could cause damage with it, threaten or kill other people, for which you could be held liable.
- ▲ Never store the pistol loaded, but remove the magazine and verify that there is no round in the barrel chamber by following the unloading procedure (see Sect. 5.8).
- ▲ Always keep the pistol and the ammunition in different places and ensure that neither can fall into the hands of unauthorized persons or children.

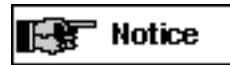
In the individual sections of these instructions, the following safety indications alert you to various risks:



Information on risks which, if not scrupulously observed, can directly lead to severe bodily harm or death.



Information on risks which, if not scrupulously observed, can lead to bodily harm, damage to property and damage to the pistol.

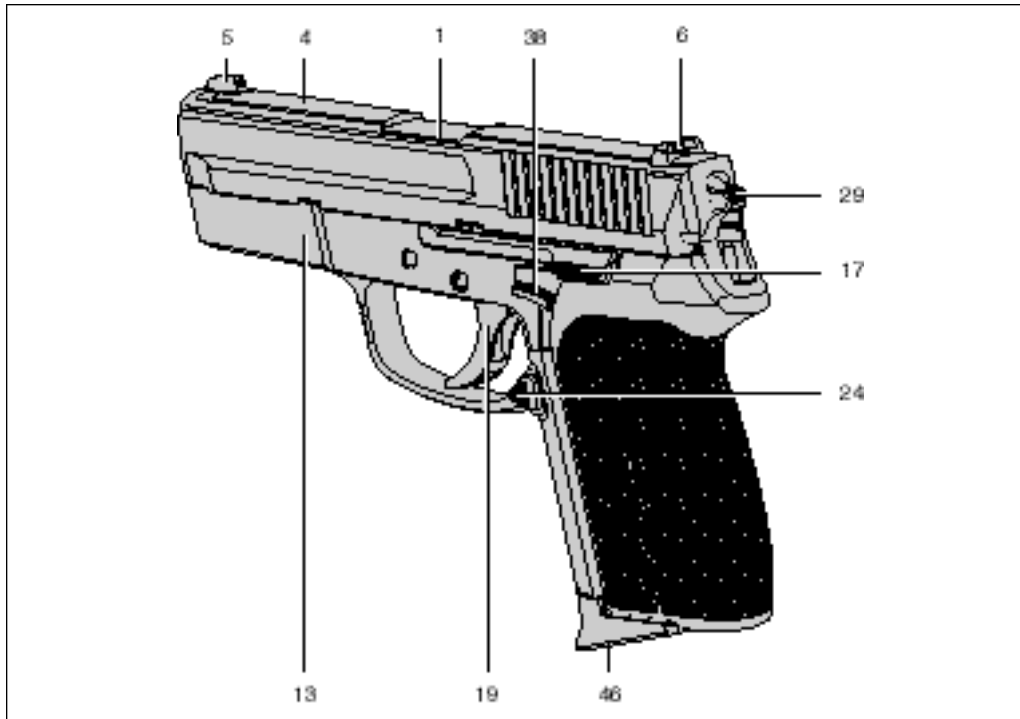


Information on technical requirements which, if not scrupulously observed, can lead to damage to the pistol.

Product Description

3 Product Description

3.1 Main parts



- 1 Barrel
- 4 Slide
- 5 Front sight
- 6 Rear sight
- 13 Frame
- 17 Slide catch lever
- 19 Trigger
- 24 Magazine catch
- 29* Hammer
- 38 Decocking lever
- 46 Magazine
- * See section 12 for alternative versions

Fig. 1

3.2 Main features

sig pro™ pistols are modern hand weapons complying with the latest technical advances in weapon design for military, police and sporting use. They operate on the principle of the mechanically locked, recoil-operated pistol with semi-automatic reloading. The automatic firing pin safety lock, safety notch on the hammer, decocking lever and the double-action trigger ensure safe carrying of the weapon and permanent, rapid firing readiness without actuating a manual safety lock. The decocking lever permits safe unlocking of the hammer in the safety notch without operation of the trigger. The firing pin remains locked during decocking by the automatic firing pin safety device. The distinctive contrast sights in conjunction with the ergonomically favourable grip design permit rapid, precision target acquisition and firing. The enclosed design prevents the penetration of dirt inside the weapon.

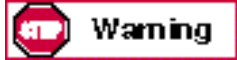
sig pro™ pistols are available as Double-Action/Single-Action (DA/SA) as well as Double-Action-Only (DAO) models. The DAO version has no decocking lever 38. This difference is described in detail in sections 8 "Function of pistol" and 5 "Handling of pistol".

3.3 Scope of supply

Included:

- 1 Pistol
- 2 Magazines
- 1 Extra Grip
- 1 Trigger Lock
- 2 Hard Carry Case
- 1 Handling and Safety Instructions

4 Transporting the Pistol



- ▲ For your own safety and for the safety of others, always transport the pistol in the unloaded condition, decocked and under lock (see Sect. 5.8).
- ▲ Never carry the pistol on your person with a round in the chamber and the hammer cocked.
- ▲ Always carry the pistol in such a manner that, should you fall or otherwise slip, you are able to control the direction of the muzzle.
- ▲ Transport the pistol separate from the ammunition.
- ▲ Ensure that you comply with all regional and national laws relating to the transport of firearms.

5 Handling the Pistol

5.1 General remarks

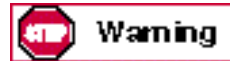
For preservation, the pistol is normally delivered with a light coating of protective grease and oils. Before initial preparation, the pistol must be stripped, the protective coatings removed and then relubricated.

5.2 Initial preparation

Procedure

1. Strip the pistol (see Sect. 7.1)
2. Clean and relubricate the pistol (see Sect. 7.2)
3. Assemble the pistol (see Sect. 7.3)

5.3 Ammunition



- ▲ For your pistol, use only commercial grade ammunition in the original packaging, which corresponds to the calibre of the pistol. The correct calibre is stamped on the pistol.
- ▲ Never use reloaded, “refurbished”, hand-loaded, non-standard ammunition, or ammunition of a different calibre.
- ▲ Never use dirty, wet, corroded, bent, damaged or oiled ammunition.
- ▲ Never leave ammunition unattended.

Handling the Pistol

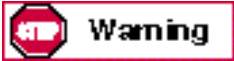
5.4 Loading the magazine

Procedure

1. Place round on feeder 49, close to the magazine lips.
2. Press round down and slip it to the rear.
3. Load the number of rounds that you intend to shoot.

Number of inserted rounds can be checked through the holes of the magazine.

5.5 Loading the pistol (ready to fire)

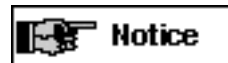


- ▲ Never load or unload the pistol inside a vehicle, inside a building or other confined space (except in a designated firing range).
- ▲ Before loading, always wipe off any excess grease and oil and check that there is no obstruction in the bore of the barrel 1.
- ▲ Always keep the muzzle of the pistol pointed in a safe direction.
- ▲ Do not place your finger on trigger 19, but outside of the trigger guard.
- ▲ Do not load the pistol by inserting the magazine until immediately before shooting.

- ▲ Never directly draw back hammer 29 by hand in order to cock it.
- ▲ Never rely on safety mechanisms. They are never a substitute for careful and correct handling of the pistol.
- ▲ Never let a loaded pistol out of your hands.

Procedure

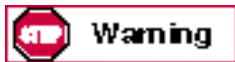
1. Point the pistol in a safe direction.
2. Insert full magazine 46 and check that it engages.
3. Draw back slide 4 to the stop and allow it to fly forward.
 - The pistol is loaded and ready to fire with the single action trigger.
 - The pistol can then be decocked with decocking lever 38. Now the pistol is loaded, decocked and ready to fire with the double action trigger.
 - The Double Action Only (DAO) pistol is decocked and ready to fire.



- ▲ Double Action Only (DAO) pistols do not have a decocking lever 38. With each cocking or reloading, the hammer 29 C is caught by the hammer safety notch.

Handling the Pistol

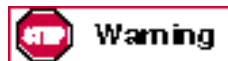
5.6 Discharging a shot



- ▲ Ensure that the target and the environment allow shots to be fired without danger.
- ▲ When discharging shots, ensure that neither your fingers, hands or any other part of the body are located in front of, adjacent to, or over the barrel muzzle or the ejector port.
- ▲ Never allow other persons to stand beside you where they might be struck by ejected cartridge cases.
- ▲ Always wear ear protection and safety glasses when shooting. Alert bystanders to the importance of wearing ear protection.
- ▲ Immediately stop shooting and unload the pistol (see Sect. 9.1) if you suspect that a round has not been chambered properly, a case is jammed, a bullet is lodged in the bore, or a discharge sounded or felt weak or abnormal.
- ▲ Never attempt to dislodge a blockage by firing another round.

Procedure

1. Aim the pistol at a safe target.
2. Place finger on trigger 19 and pull back trigger 19 to discharge the shot.
3. Keep the pistol aimed at the target and fire further shots as required.
4. Remove magazine and unload the pistol (see Sect. 5.8). If the pistol has been fired until the magazine is empty, slide 4 will be caught in the open position. If firing is to continue, reload the pistol (see Sect. 5.7).



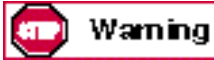
- ▲ After each discharge, Double Action/Single Action pistols are in the cocked and ready to fire condition.
- ▲ If you wish to interrupt the shooting session, you must actuate decocking lever * 38. The pistol is then in the loaded, decocked and ready to fire condition.
- ▲ After each discharge, Double Action Only (DAO) pistols are in the decocked condition and ready to fire with the double action trigger.

* Not applicable to DAO pistols.

Handling the Pistol

5.7 Reloading during shooting

The slide is caught in the open position.



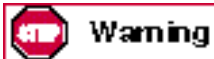
- ▲ Never let the pistol out of your hands.
- ▲ Keep the pistol pointed at the safe target.

Procedure

1. Remove the empty magazine.
2. Insert full magazine and ensure that it engages.
3. Thumb down slide catch lever 17 or draw back slide 4 to the stop and allow it to fly forward (see Sect. 5.5).
 - The pistol is loaded and ready to fire.
 - The pistol can also be decocked with decocking lever 38. (Not applicable to DAO pistols.)
 - The pistol is now loaded, decocked and ready to fire.

5.8 Unloading the pistol

5.8.1 Unloading the pistol, magazine not empty



- ▲ Never let the pistol out of your hands before it is unloaded.
- ▲ The pistol is loaded, a round is located in the chamber of the barrel.

- ▲ Execute the unloading cycle with only two fingers from the rear.
- ▲ Never place your hand over the ejection port of the slide.

Procedure

1. Keep the muzzle of the pistol pointed in a safe direction.
2. On Double Action/Single Action pistols, actuate decocking lever 38; hammer 29 will catch in the hammer safety notch. With Double Action Only (DAO) pistols, hammer 29 C automatically registers in the hammer safety notch.
3. Actuate magazine catch 24 and remove the magazine (Fig. 2).

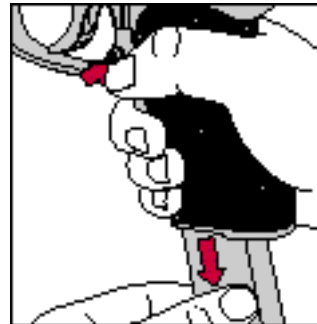


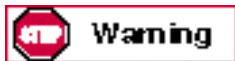
Fig. 2

Handling the Pistol

4. Draw back slide 4 to the stop and thumb up slide catch lever 17. The round will be ejected and slide 4 caught in its open position.
5. Check visually, and manually with a tool, that the round was ejected and that no other round is chambered (Fig. 3).
6. Actuate slide catch lever 17. Slide 4 will be impelled forward.
7. Thumb down decocking lever 38. (Not applicable to DAO pistols.)
8. Empty magazine.
9. Pick up and clean ejected round.

The pistol is unloaded and decocked. It must be cleaned after every shooting session (see Sect. 7).

5.8.2 Unloading the pistol, magazine empty, slide open



- ▲ The pistol must not be put down and out of your hand until the magazine is removed and the pistol is unloaded.

Procedure

1. Keep the muzzle of the pistol pointed in a safe direction.
2. Actuate magazine catch 24 and remove the magazine (see Fig. 2, page 9).
3. Check that no round is chambered (visually and manually with an aid) (Fig. 3).

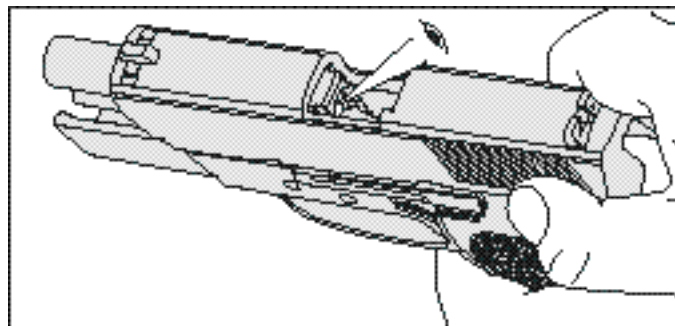
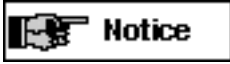


Fig. 3

4. Actuate slide catch lever 17. Slide 4 will be impelled forward.
5. Thumb down decocking lever 38. (Not applicable to DAO pistols.)

The pistol is unloaded and decocked.

6 Sight Correction

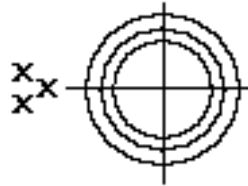


▲ Any adjustment to sights should only be done on an unloaded pistol, by an armorer, gunsmith or other qualified person. Special tools (see Sect. 6.4) are required for this task. Corrections should first be made to rear sight 6.

6.1 Sight correction for windage

Shifting the rear sight 6
Shifting the rear sight 6 by 0.02" to the right alters the point of impact by 3" to the right at 25 yard range.

Shifting the front sight 5
Shifting the front sight 5 by 0.02" to the left alters the point of impact by 3" to the right at 25 yard range.



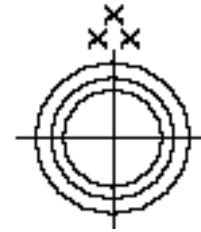
*Fig. 4,
point of impact left*

SIGARMS Inc, has available a Combination Sight Pusher Tool which makes it easier to adjust sights.

6.2 Sight correction for elevation

Changing the rear sight 6
Changing the rear sight 6 for a lower one (one rear sight increment) alters the point of impact by 2" lower at 25 yard range.

Changing the front sight 5
Changing the front sight 5 for a higher one (one front sight increment) alters the point of impact by 1" lower at 25 yard range.



*Fig. 5,
point of impact high*

Sight Correction

6.3 Rear and front sight variants

Rear sight variants

Number	05	06	07	08	09	10
Height	.22"	.23"	.24"	.25"	.26"	.27"

Front sight variants

Number	05	06	07	08	09
Height	.235"	.230"	.225"	.22"	.215"

6.4 Rear and front sight keys

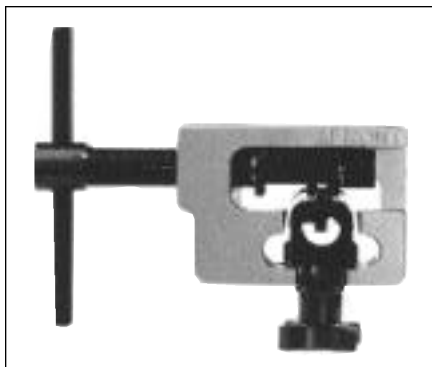


Fig. 6, Combined rear and front sight tool, from front

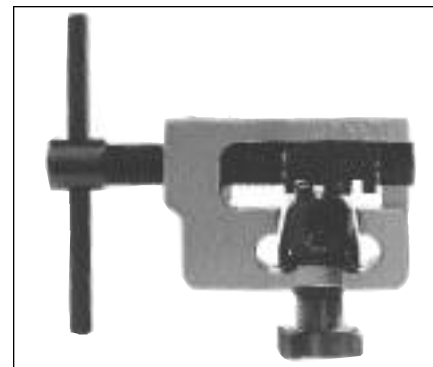
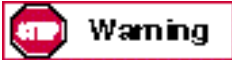


Fig. 7, Combined rear and front sight tool, from rear

7 Maintenance of the Pistol



- ▲ The magazine must be removed from the pistol.
- ▲ Before stripping your pistol for cleaning, ensure once again that it is unloaded (see Sect. 5.8).

7.1 Stripping the pistol

1. Unload the pistol (see Sect. 5.8).
2. Draw back slide 4 to the stop and arrest it in the open position by thumbing up slide catch lever 17 (Fig. 8).

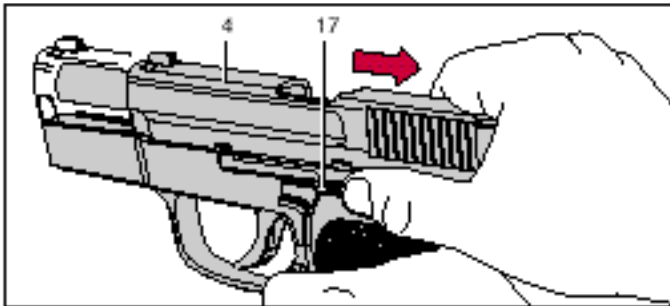


Fig. 8

3. Check that no round is chambered (see Fig. 3, page 10).
4. Take the frame and slide in your right hand. Pull the slide 4 back slightly to release the slide catch lever 17. Then allow the slide 4 to move forwards by about 3 mm until the recess 4b on the slide 4 rests with its tip against the slide catch lever 17. Press the slide catch lever 17 in from the right and remove from the left (Fig. 9).

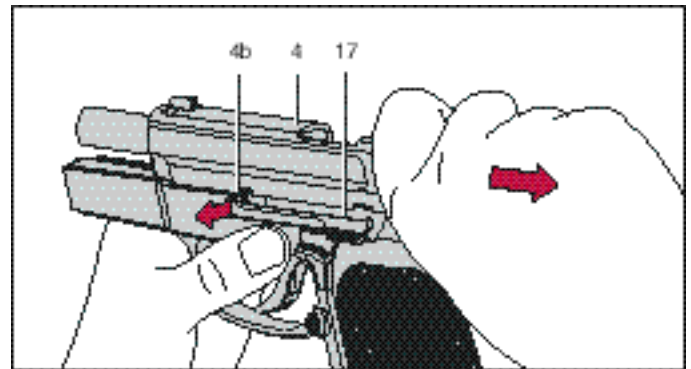


Fig. 9

5. Follow the slide 4 forwards with your hand until the recoil spring 3 is released.

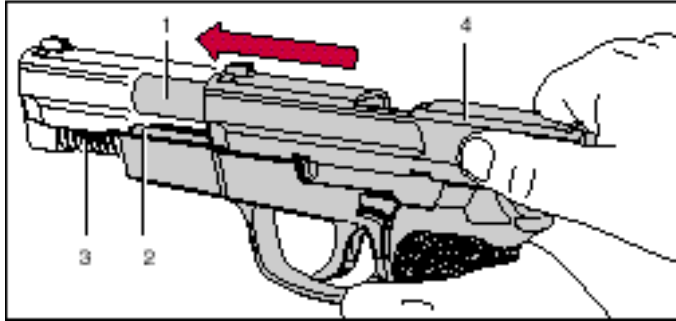


Fig. 10

6. Now slip the complete assembly (slide 4, barrel 1, recoil spring 3 and recoil spring guide 2) forward and off the frame 15.



- ▲ Recoil spring 3 is compressed. Uncontrolled removal of recoil spring guide 2 can cause it and the spring to jump away. When stripping, control decompression of the pre-loaded recoil spring 3 with your hand.

Procedure

7. Push the recoil spring guide 2 carefully forwards and to one side or lift off and remove the recoil spring 3 with the recoil spring guide 2 from the slide 4 (Fig. 11).

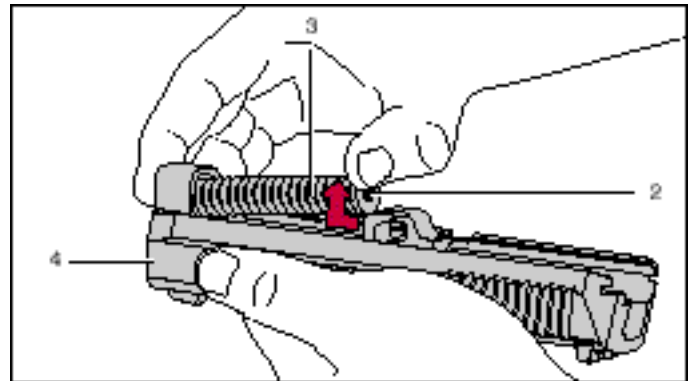


Fig. 11

8. Remove barrel 1 from slide 4 (Fig. 12).

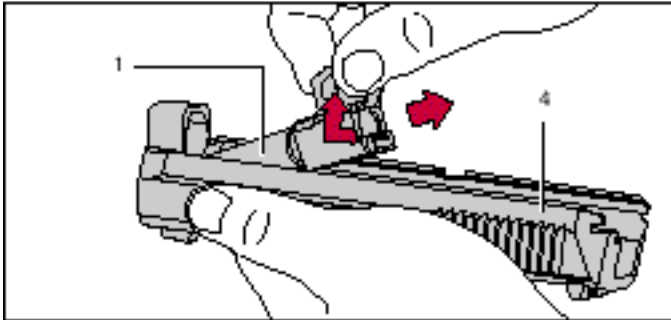


Fig. 12

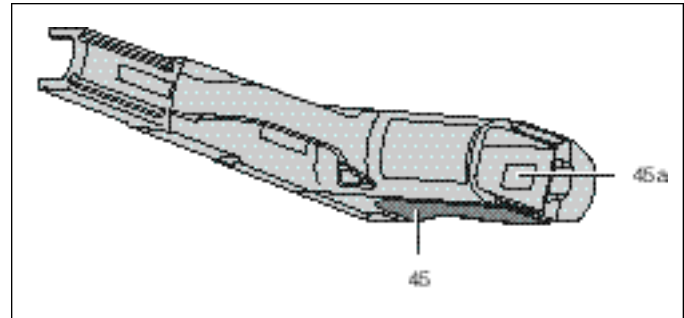
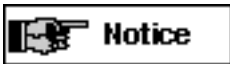
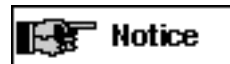


Fig. 13



▲ Do not remove the grip plate 45 (work step 9) unless the weapon is extremely dirty (water, sand, mud etc.)

9. Press the retaining lug 45a in the well and remove the grip plate 45 (Fig. 13).



▲ This level of stripping is sufficient to allow a thorough cleaning after shooting.

▲ Further dismantling of the pistol may only be carried out by qualified armourers and gunsmiths.

7.2 Cleaning the pistol



- ▲ Never clean barrel 1 from the muzzle end and do not use steel wire brush as it can destroy the smooth surface of the bore. Use a suitable cleaning rod and brush of matching calibre (see Sect. 12).
- ▲ Solvents can be harmful to the surface finish of the pistol. Read the manufacturer's warnings and indications before using solvents or cleansers.

Procedure

1. Lubricate the cleaning brush with gun oil and insert it into barrel 1 via the chamber. Use brush to carefully remove all powder residues and dirt in the barrel 1 and chamber.
2. Wipe powder residues and oil from the barrel bore and chamber with cleaning patches.
3. Clean external surfaces of barrel 1 with a brush dipped in gun oil.
4. Clean the metal guide in the frame 13, the inside and outside surfaces of the slide 4, the locking insert 14 and recoil spring 3 with a brush or rag. Then oil or grease with a cloth impregnated with gun oil or grease.
5. Lightly oil bores of barrel and chamber.
6. If the weapon is extremely dirty (water, sand, mud etc.), in addition to normal cleaning, the grip plate should be removed (see Sect. 7.1, Point 9). This permits thorough cleaning of the trigger mechanism.

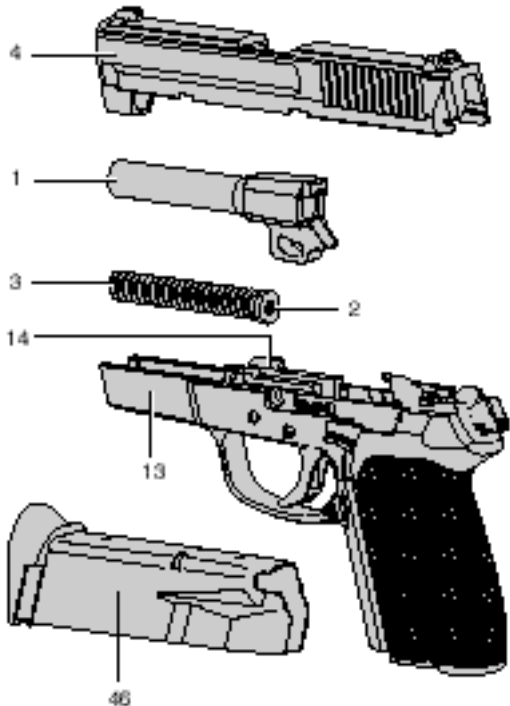


Fig. 14, Pistol dismantled for cleaning

7.3 Assembling the pistol

Procedure

1. Check that there is no foreign matter inside the pistol.
2. Push the grip plate back on from below until it notches home.
3. Place the barrel 1 with the control cam in the slide 4 from below.



- ▲ When recoil spring 3 is inserted into slide 4, it becomes pre-loaded. If the recoil spring guide 2 is not carefully installed in slide 4, it can fly out, together with the recoil spring 3, and injure you or someone in your vicinity.
4. Insert recoil spring guide 2 with recoil spring 3 into slide 4.
 5. Push the entire system onto the frame 13 from the front until it is correctly on rear side positioned.
 6. Push the slide catch lever 17 into position horizontally from the left until it rests against the slide 4.

7. Hold the frame 13 with the right hand. Pull the slide 4 back with the left hand until the recess 4b on the slide 4 coincides with the slide catch lever lug 17. Press the slide catch lever 17 into position until it audibly notches home (Fig. 15).

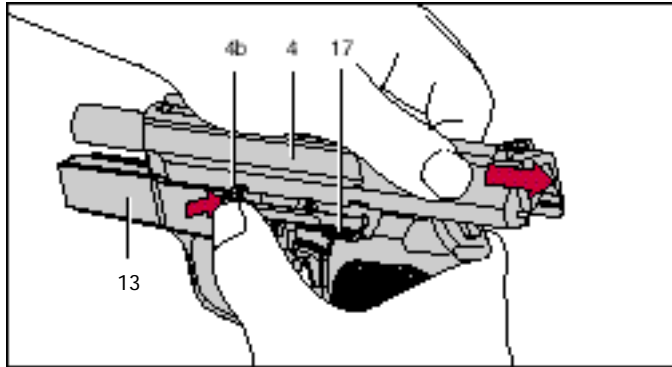
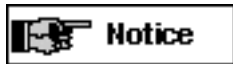


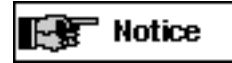
Fig. 15

8. Follow the slide 4 forwards with the hand.
9. Thumb down decocking lever 38. (Not applicable for DAO pistols.)



- ▲ The pistol is unloaded and decocked.

7.4 Verification of functions



- ▲ Verification of functions must be conducted on the assembled pistol:

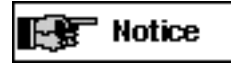
- to identify causes of malfunction,
- after completion of repairs
- and after each cleaning and assembly of the pistol.

Procedure

1. Remove the magazine and unload the pistol (see Sect. 5.8).
2. Check the elasticity of recoil spring 3 and the smoothness of the slide 4 action.
 - Draw back slide 4 to the stop and allow it to fly forward.
 - Check that slide 4 is impelled forward with sufficient energy and that it locks up.
 - Repeat the verification test.
3. Check the trigger mechanism (DA).
 - With hammer 29 decocked, pull trigger 19 through.
 - Check that hammer 29 cocks and that at the end of trigger travel, it strikes firmly forward and comes to rest in the safety intercept notch.
4. Check trigger travel and trigger interruption.
 - With hammer 29 decocked and trigger 19 pulled through, draw back slide 4 to the stop and release it.
 - Check that hammer 29 is restrained in its cocked position (trigger remains pulled through). (Not applicable to DAO pistols.)
5. Check simple trigger function (SA).
 - Release trigger 19.
 - Check that trigger bar 22 reengages and whether hammer 29 drops when the trigger is pulled again.
6. Check function of decocking lever 38 and safety intercept notch on hammer 29.
 - Cock hammer 29 and decock it with decocking lever 38 without touching trigger 19. (Not applicable to DAO pistols.)
 - Check that hammer 29 is arrested in the safety intercept notch before reaching its forward end position and trigger 19 is guided to the rest position.
7. Check slide catch lever 17.
 - Insert empty magazine, draw back slide 4 to the stop and release it.
 - Check that slide 4 remains caught in its rearmost position.
 - Actuate slide catch lever 17.
 - Check that slide 4 is released and impelled forward with sufficient energy.
 - Actuate decocking lever 38. (Not applicable to DAO pistols.)
 - Remove magazine.
8. Inspect magazine.
 - Check condition of magazine tube 46 for signs of damage or dirt (lips and floorplate).
 - Check that magazine floorplate is properly secured.
 - Check free movement and spring action of feeder 49.

- Check smooth insertion of magazine into frame 13.
 - Check magazine catch 24 for clean engagement and release.
9. Inspect external appearance of the pistol.
- Check front sight 5, rear sight 6, grip plate 45 for damage and dirt.
 - Check that front sight 5, rear sight 6 and grip plate 45 are firmly secured.
10. Verification of numbered components.
- Check that serial numbers of barrel 1, slide 4 and frame 13 correspond.

7.5 Care of the pistol



- ▲ Always keep your pistol in immaculate condition and in good working order.
- ▲ Always clean your pistol after use.
- ▲ Never modify or repair parts of your pistol yourself.
- ▲ Have your pistol checked once every 12 months by a qualified gunsmith or armourer because defects, wear, corrosion, etc. are not always visible from the outside.
- ▲ For repairs or service work, however, we recommend that you return your pistol to the manufacturer who always holds a full range of replacement parts in stock.
- ▲ If you order spare parts without returning the pistol, you are responsible for ordering the correct part and its correct fitting by a qualified gunsmith or armourer.



- ▲ The manufacturer and importer cannot be held liable for faults in the pistol or malfunctions if the pistol has been modified or non-original parts have been fitted by third parties.

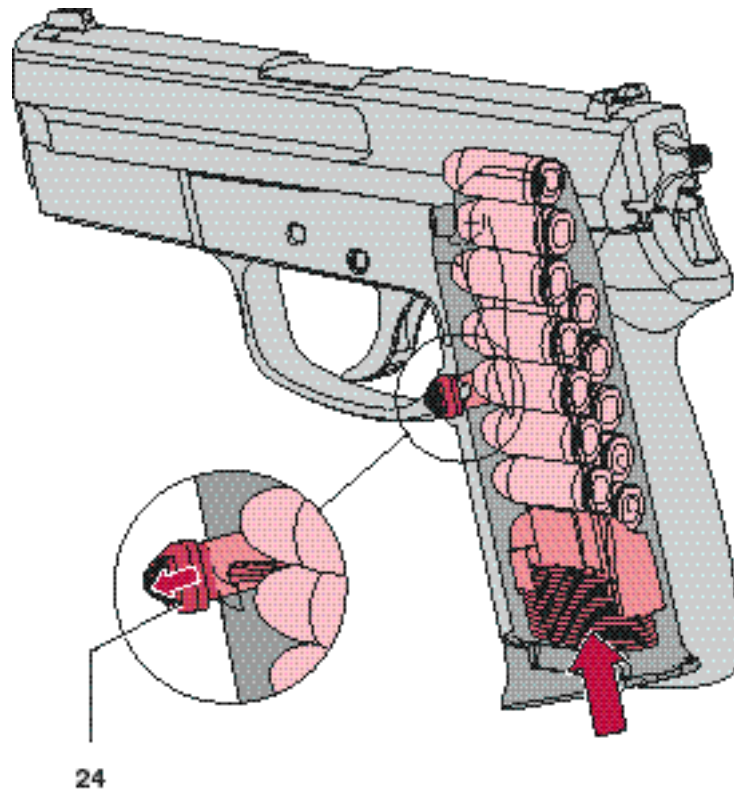
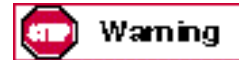


Fig. 16, Pistol with magazine inserted

8 Function of the Pistol

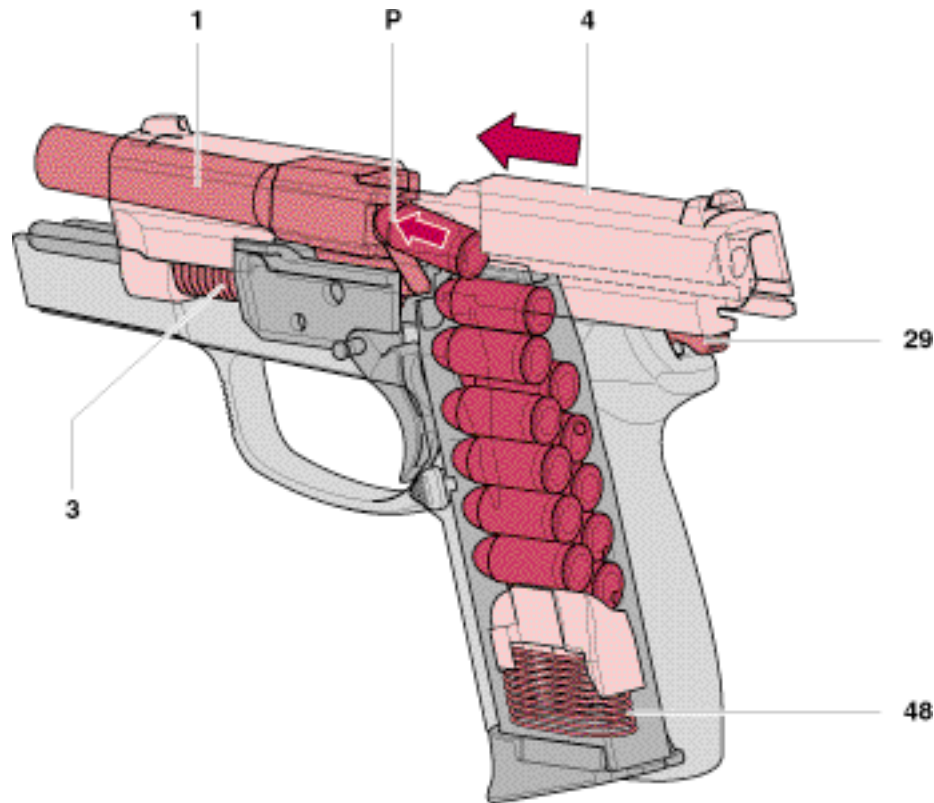


- ▲ The description of functions is not a set of instructions covering the use, care or repair of the pistol. Any manipulations on the pistol based on the following description of functions are strictly prohibited.

8.1 Function sequence when loading

8.1.1 Magazine inserted

- Full magazine is inserted up to the stop in the frame.
- Magazine catch 24 has engaged the magazine.



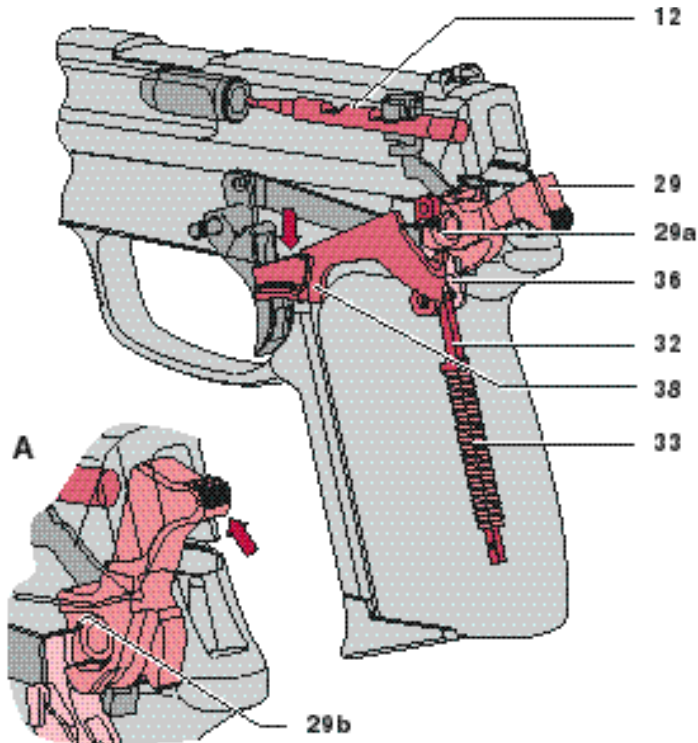
8.1.2 Function sequence when loading

- As slide 4 is drawn back, the hammer 29 is cocked.
- Top round P is thrust up into the feeding position by magazine spring 48.
- When slide 4 is released, it is impelled forward by the compressed recoil spring 3.
- Round P is chambered in the barrel 1 by slide 4.

The pistol is ready to fire. Hammer 29 is cocked * and can be decocked * with decocking lever 38.

* Not applicable to DAO pistols.

Fig. 17, Round being chambered



8.2 Function sequence when decocking *

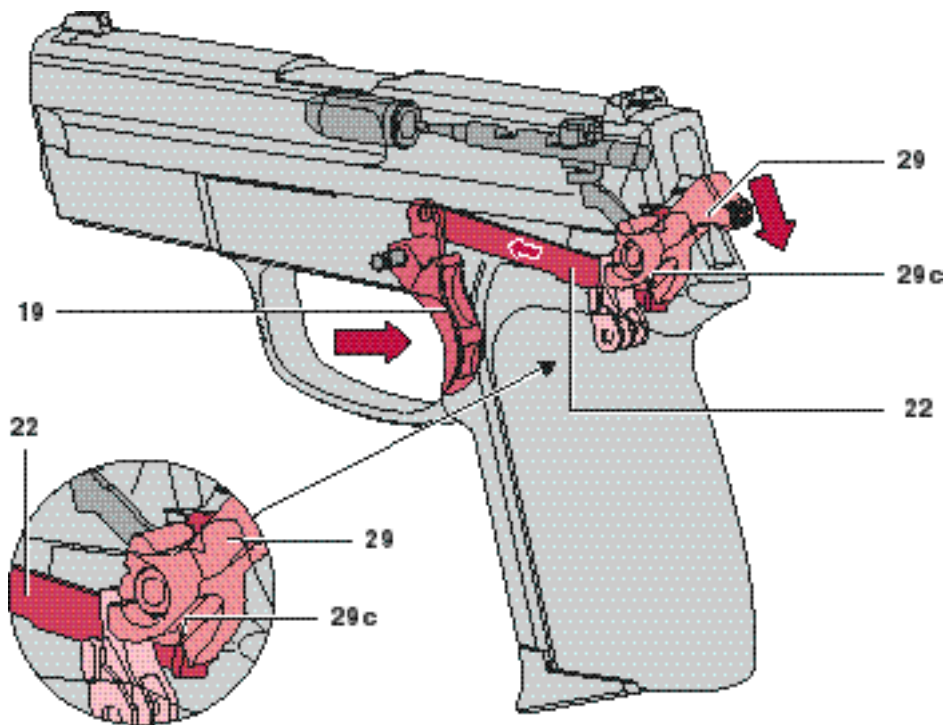
8.2.1 Hammer decocking *

- Decocking lever * 38 is thumbled down.
- Sear 36 lifts out of register with the SA notch 29a of hammer 29.
- Hammer 29 is released and pivoted forward by hammer strut 32 and main spring 33.
- Hammer 29 engages decocking lever 38 and accompanies this until being intercepted in the safety notch 29b by sear 36 (see Fig. A).
- When decocking lever 38 is released, it returns to the rest position.

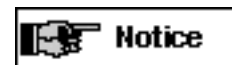
During and after decocking, firing pin 12 remains locked.
Safety intercept notch 29b is the rest position of hammer 29.

* Not applicable to DAO pistols.

Fig. 18, Sear being pivoted out of SA notch



8.3 Function sequence when firing in "Double Action" mode

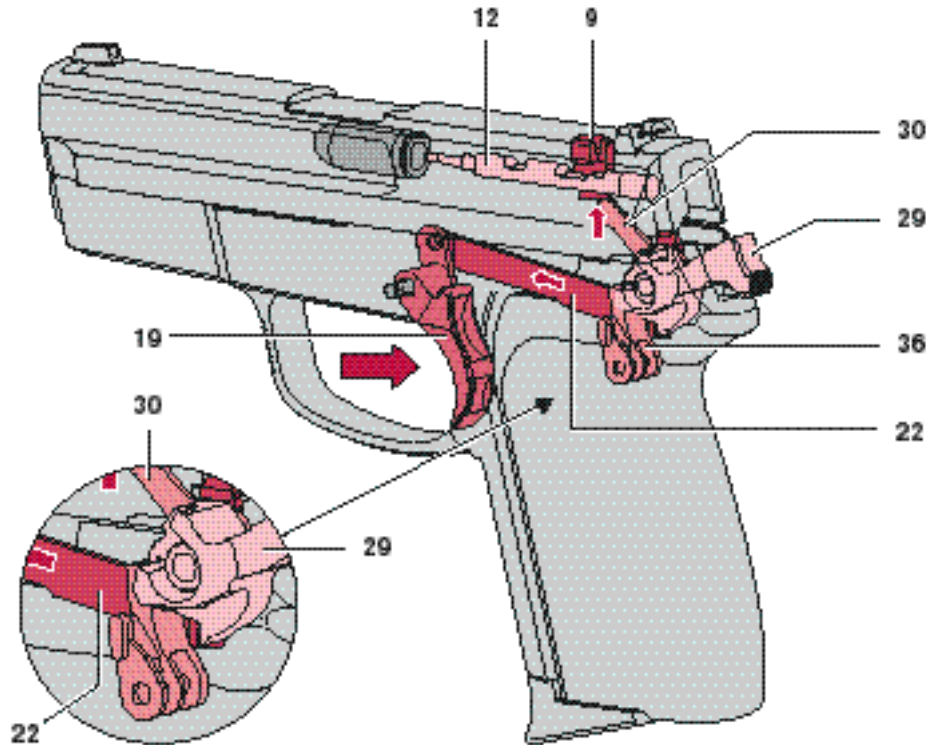


▲ Firing in "Single Action" mode, see Sect. 8.5.

8.3.1 Hammer cocking with the trigger

- Trigger 19 is pulled.
- Trigger bar 22 cocks hammer 29 via double action notch 29c.

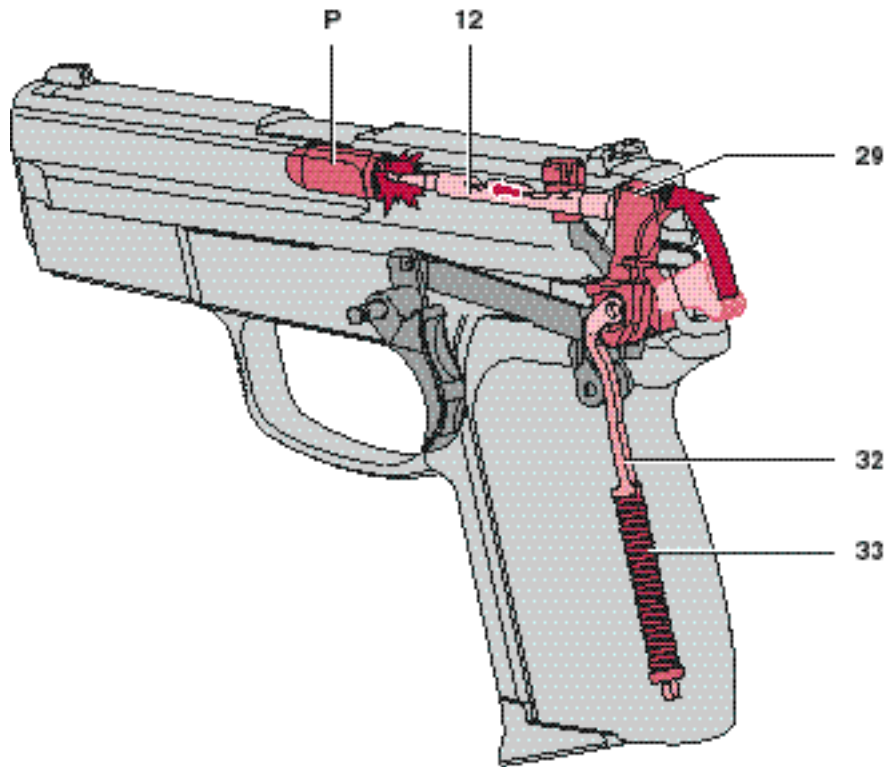
Fig. 19, Hammer being cocked via trigger action



8.3.2 Firing the pistol

- Trigger 19 is pulled up to the stop.
- Trigger bar 22 pivots safety lever 30 and sear 36 forwards. Safety lever 30 raises safety lock 9, thereby liberating firing pin 12.
- The control cam of the action casing 26 guides the trigger bar 22 away from the double action notch (DA notch) of the hammer 29.
- Hammer 29 is released.

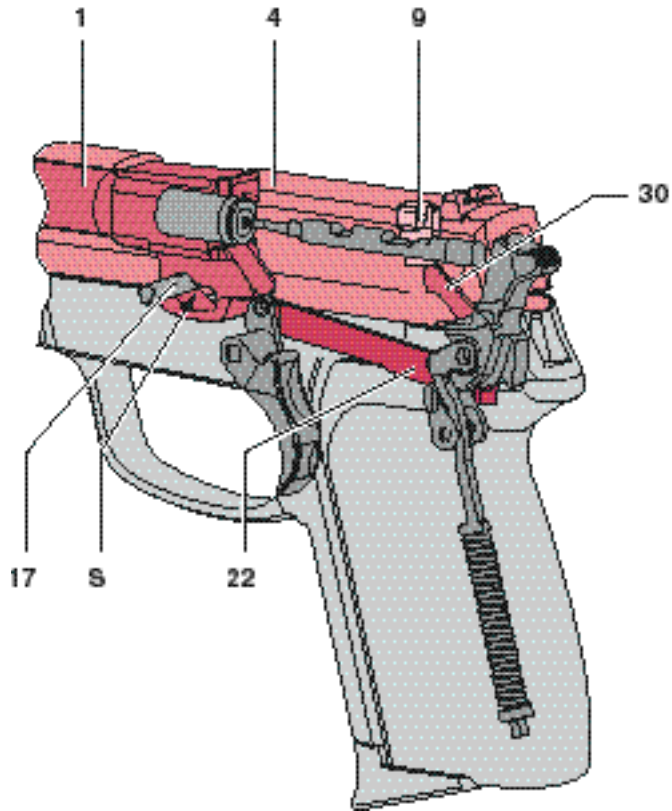
Fig. 20, Hammer is released "Double Action"



8.3.3 Function sequence at shot discharge

- Hammer 29 is released.
- Via hammer strut 32, mainspring 33 thrusts hammer 29 upwards.
- Hammer 29 strikes firing pin 12.
- Firing pin 12 impacts against the primer of round P.

Fig. 21, Round is discharged



8.4 Function sequence at case ejection and automatic reloading

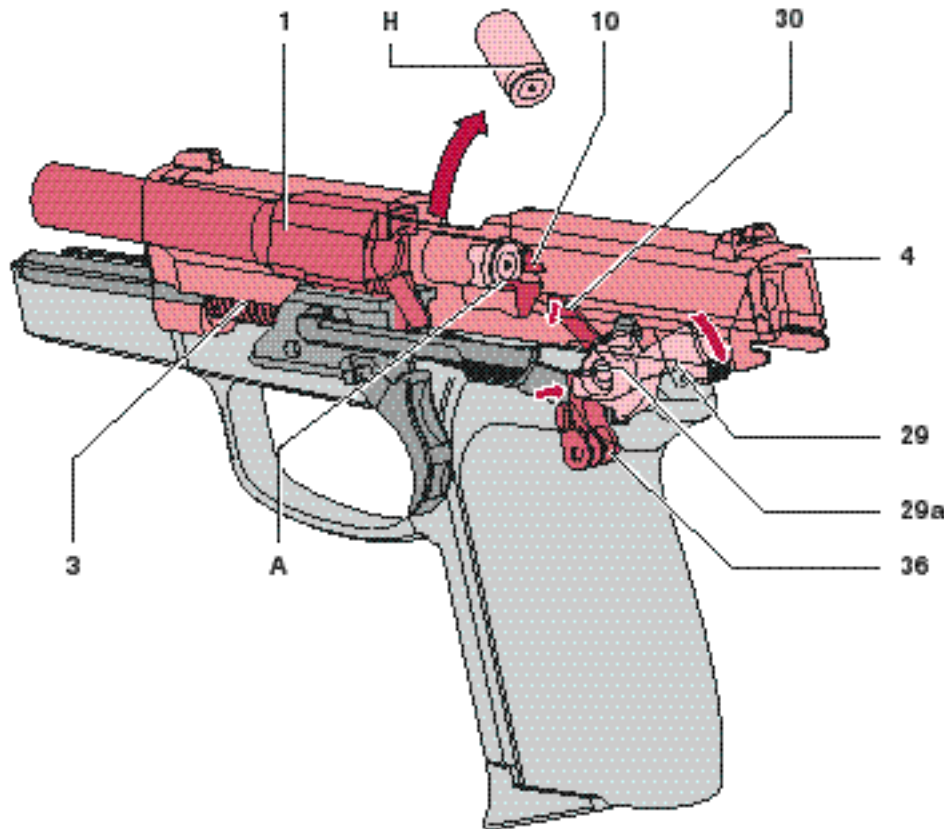
8.4.1 Unlocking

- Blowback reaction generated at discharge thrusts slide 4 to the rear.
- This separates safety lever 30 and safety lock 9. Firing pin lock is effective again.
- Slide 4 depresses trigger bar 22, thereby disconnecting trigger bar 22 from safety lever 30.
- The barrel 1 must be swung downwards to release by means of the control cam S in conjunction with the slide catch lever pivot 17.

Safety in the case of incompletely closed slide position

If slide 4 is not in its fully locked final position, the register between safety lever 30 and safety lock 9 is cancelled. Also, trigger bar 22 is depressed by slide 4, thereby interrupting the remaining trigger functions.

Fig. 22, Barrel is tilted down and arrested



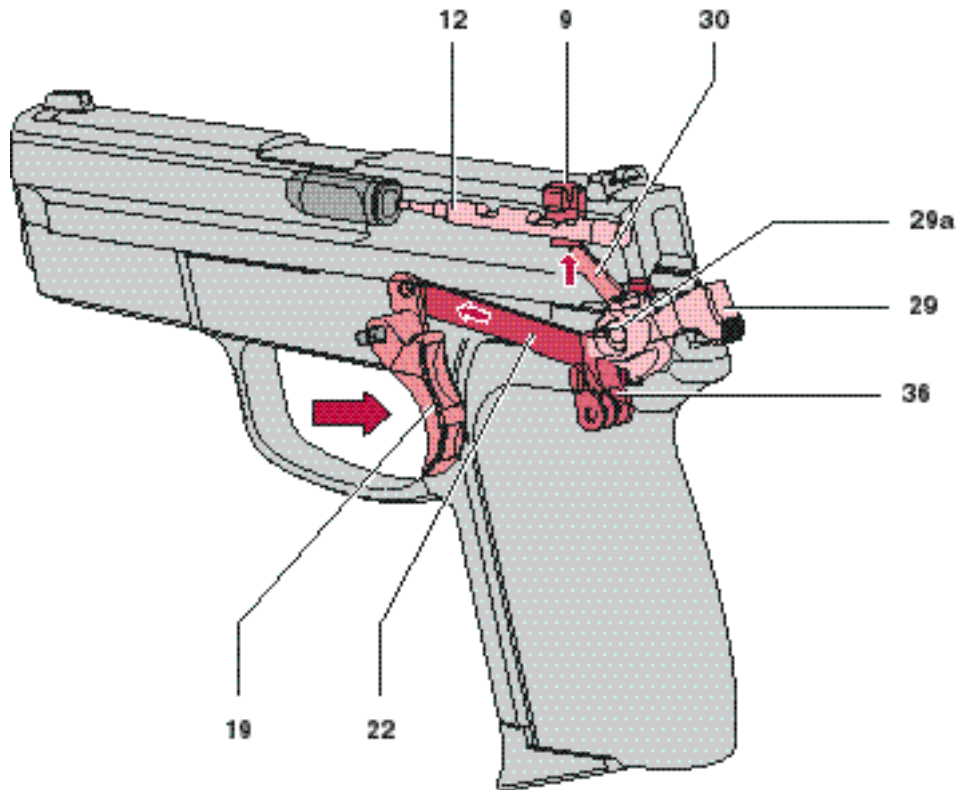
8.4.2 Function sequence at case ejection and hammer cocking

- Sear spring presses sear 36 and safety lever 30 to their initial positions.
- Empty case H is extracted by extractor claw 10 and, upon striking the ejector A, is ejected.
- As slide 4 recoils up to its stop, it cocks hammer 29 and is then caught in the SA notch 29a by sear 36.*
- Slide 4 is propelled forward through pressure of the cocked recoil spring 3 and the next round is fed (see Sect. 8.1.2). Barrel 1 locks up with slide 4 again.

The pistol is ready to fire.
Hammer 29 is cocked.*

* Not applicable to DAO pistols.

Fig. 23, Case being ejected



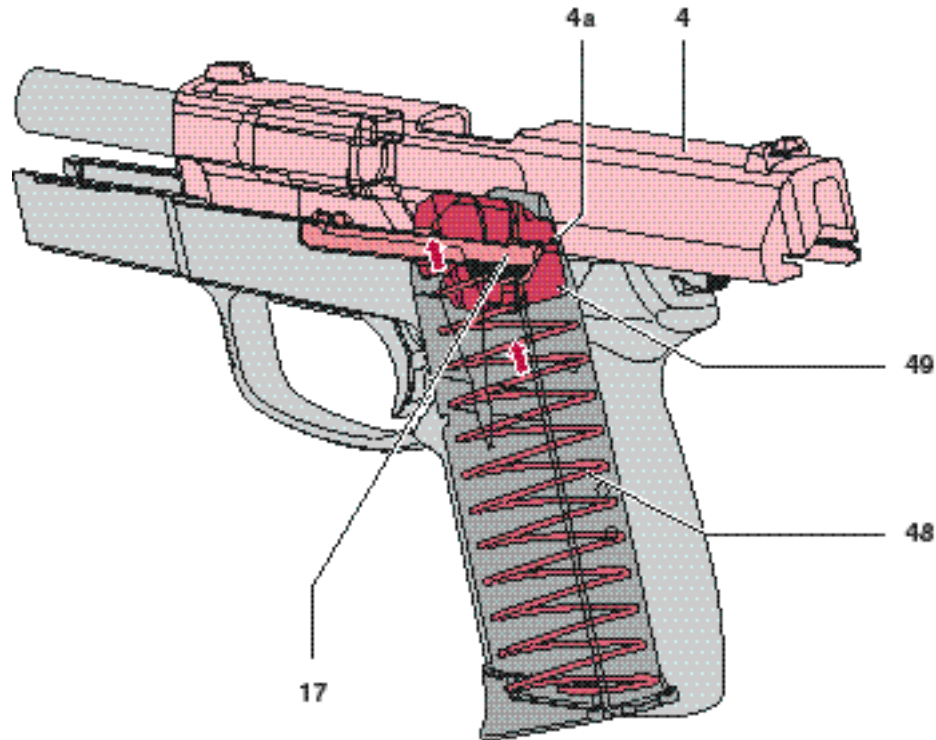
8.5 Function sequence when firing in "Single Action" mode *

Firing in "Single Action" mode

- Trigger 19 is pulled.
- Trigger bar 22 pivots safety lever 30 forwards, which raises safety lock 9, thereby liberating firing pin 12.
- At the same time, safety lever 30 disengages sear 36 from the SA notch 29a of hammer 29, thereby releasing hammer 29.
- The round is discharged (see Sect. 8.3.3).

* Not applicable to DAO pistols.

Fig. 24, Hammer is released "Single Action"



8.6 Function sequence after discharge of last round

- Blowback reaction generated at discharge thrusts slide 4 to the rear stop.
- In the empty magazine, magazine spring 48 raises feeder 49 which also presses up slide catch lever 17. Slide catch lever 17 registers in notch 4a of slide 4.
- Slide 4 is arrested in its open position.

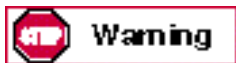
Fig. 25, When magazine is empty, slide is held open

Service and Repairs

9 Pistol Service and Repairs

9.1 Cause and correction of malfunctions

Pistol maintenance (cleaning and inspection) according to the instructions can prevent malfunctions. Should, nevertheless, a malfunction occur during shooting, proceed as follows:



▲ Hold pistol pointed in the firing direction (safe direction) and keep your finger off trigger 19 while you carry out the operations described in the following.

1. Remove and safeguard the magazine.
2. Draw back slide 4 and arrest it in the open position by thumbing up slide catch lever 17.
3. Verify (visually or with a tool) that there is no bullet, round, case or foreign body in the barrel bore or chamber (see Fig. 3, page GB 10). If a projectile is lodged in the bore, strip the pistol (see Sect. 7.1) and have the blockage removed with a suitable tool by a qualified gunsmith.
4. Remove all rounds, cases or foreign bodies. Clean, lubricate and assemble the pistol (see Sect. 7.2/7.3).
5. Have the pistol inspected by an armourer or gunsmith.

Assembly/Malfunction

Potential Cause

Potential Remedy

Ammunition feed:
No round chambered.

Magazine not properly inserted,
deformed or dirty.

Insert magazine properly
or replace it.

Slide:
Slide does not close properly.

Pistol or rounds dirty or too
heavily greased.

Strip, clean and lubricate pistol
(see Sect. 7.1–7.3); clean or replace
ammunition.

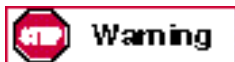
Pistol defective.

Repair by manufacturer.

Service and Repairs

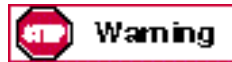
Assembly/Malfunction	Potential Cause	Potential Remedy
Case ejection: Spent case sticks in chamber or jams in ejection port.	Recoil insufficient because of fouling. Underloaded ammunition. Pistol defective.	Strip, clean and lubricate pistol (see Sect. 7.1–7.3) Replace ammunition. Repair by manufacturer.
Misfire: Hammer strikes, but no discharge.	Firing pin sticking in its guide. Defective ammunition. Pistol defective.	Strip, clean and lubricate pistol (see Sect. 7.1–7.3). Have pistol checked by armourer. Manually cycle slide to chamber new round. Repair by manufacturer.

9.2 Safekeeping and storage of the pistol



- ▲ Always store your pistol unloaded and in cleaned condition.
- ▲ Store your pistol separate from its ammunition and under lock and key. The pistol and ammunition must not be accessible to children and other inexperienced or unauthorized persons.

9.3 Shipping the pistol



- ▲ Familiarize yourself fully with local legislation governing the shipping and transportation of firearms.
1. Check the pistol to ensure that it is unloaded and decocked.

2. Pack the pistol well (if possible in its original packaging) to prevent damage in transit. To prevent the pistol being recognized as such during shipping, wrap the original packaging in a second outer layer. Do not include carrying cases, telescopic sights, scope mounts or other accessories in the shipment.
3. Enclose a letter stating the following:
 - your full name
 - your full address (mention street, not P.O. Box)
 - your daytime telephone number
 - model and serial numbers of the pistol
 - detailed description of the problem encountered or the service work to be performed.
4. Send the pistol properly insured and carriage-paid (packages without correct postage will not be accepted) to:

SIGARMS Inc.
ATTN: Service Department
18 Industrial Drive
Exeter NH 03833/USA
Phone 603-772-2302
Fax 603-772-9082

Before returning the firearm contact Customer Service at 603-772-2302 for an RMA number. Clearly mark this number on the outside of your package - this number will assist us in tracking the status of your return.

Warranty Statement

Based on Magnuson-Moss Warranty Act, SIGARMS Inc. offers no express warranty on their product line. However, SIGARMS Inc. recognizes its obligations concerning service to owners of SIGARMS products.

SIGARMS Inc. stands behind its products and will continue to provide service to their product line as they have over the years. SIGARMS Inc. products will be serviced for a period of one year from date of retail purchase, for defects in materials or workmanship, at no charge to the purchaser.

Be sure to retain your sales slip as proof of purchase date when making a claim.

**IF YOU DO NOT UNDERSTAND THE INSTRUCTIONS
FOR OPERATING YOUR PISTOL, IT IS YOUR
RESPONSIBILITY TO CALL OUR SERVICE
DEPARTMENT: Phone # 603 772-2302
BEFORE USING YOUR FIREARM.**

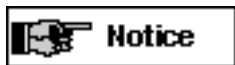
10.1 Technical Specifications

	SP 2009	SP 2340
Caliber	9 mm Para	.40 S&W / .357 SIG
Length, overall	7.36"	7.36"
Height, overall	5.67"	5.67"
Width, overall	1.34"	1.34"
Barrel length	3.86"	3.86"
Rifling lead	9.84"	14.96" / 15.98"
No. of grooves	6	6
Sight base	5.9"	5.9"
Weight, excl. magazine	25.2 oz	27.2 oz
Magazine weight, empty	3.0 oz	3.0 oz
Trigger pool DAO/DA, approx.	10 lbs	10 lbs
Trigger pool SA, approx.	4.5 lbs	4.5 lbs
Magazine capacity/Rounds	10, 15 (LE/Govt ONLY)	10, 12 (LE/Govt ONLY)

Accessories

- Spare magazines
- Cleaning kit
- Combination Sight Tool
- SIGLITE sights
- Grip plates small, large r
- Short trigger

Spare Parts List SP 2009 / SP 2340



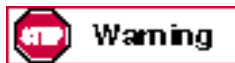
▲ For the accompanying figure to the list, see page 36.

Essential information when ordering spare parts

- Pistol model (caliber, designation)
- Pistol serial number
- Item number and index
- Part designation

Index explanation

- C = DAO pistol models
- * = not for DAO pistols

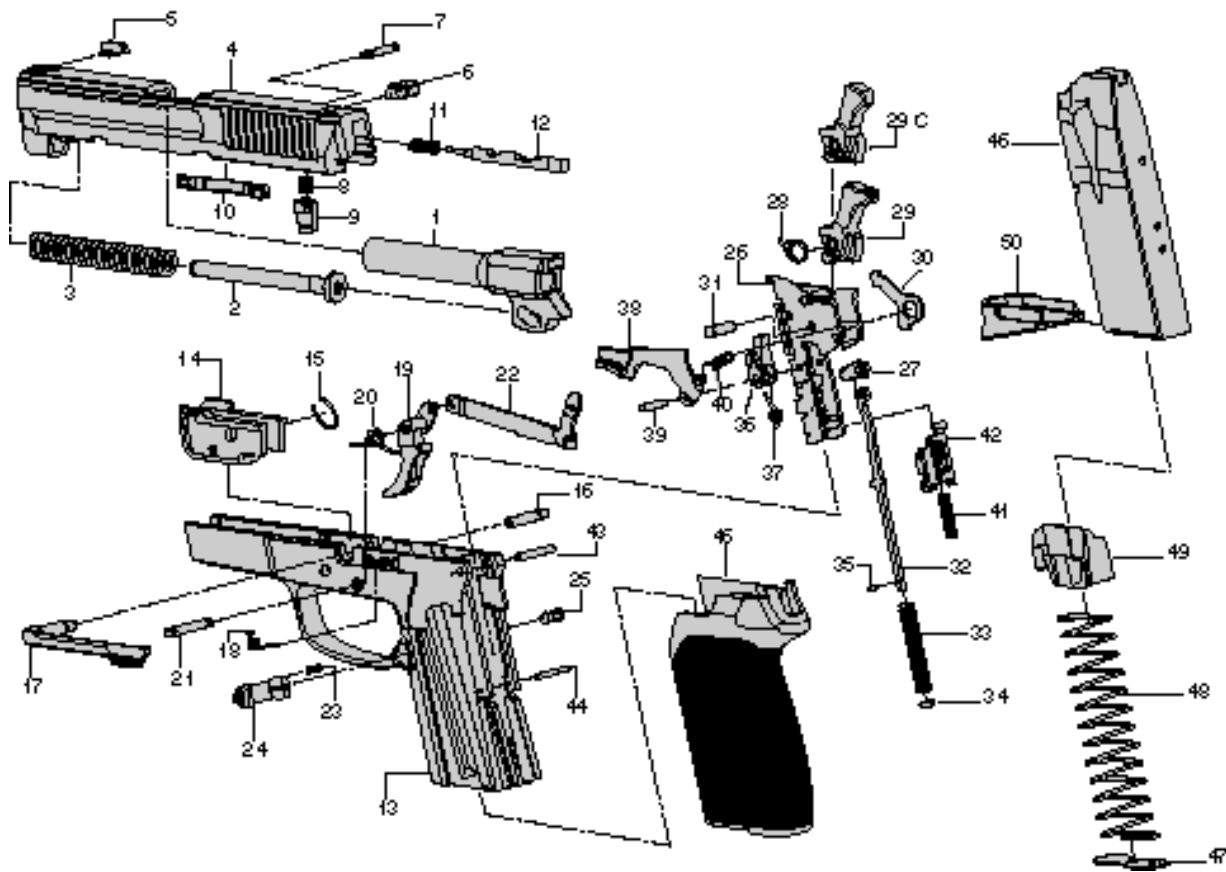


▲ Never install a standard hammer 29 in a DAO pistol.

Item	Designation	Item	Designation	Item	Designation
1	Barrel	17	Slide catch lever	34	Hammer strut bushing
2	Recoil spring guide	18	Slide catch lever spring	35	Hammer strut pin
3	Recoil spring	19	Trigger	36	Sear
4	Slide	20	Trigger spring	37	Sear spring
5	Front sight 05/06/07/08/09/10	21	Trigger pivot	38 *	Decocking lever
6	Rear sight 04/05/06/07/08/09/10	22	Trigger bar	39	Pivot, sear and decocking pin
7	Bolt firing pin	23	Magazine catch spring	40 *	Decocking lever spring
8	Safety lock spring	24	Magazine catch	41	Pusher spring
9	Safety lock	25	Magazine catch lock	42 *	Trigger bar pusher
10	Extractor	26	Hammer Box	43	Upper action casing pin
11	Firing pin spring	27	Drive lever	44	Lower action casing pin
12	Firing pin	28	Reset spring	45	Grip plate
13	Frame	29, 29 C	Hammer	46	Magazine tube
14	Locking insert	30	Safety lever	47	Floorplate insert
15	Axial locking spring	31	Hammer pivot pin	48	Magazine spring
16	Locking insert pivot	32	Hammer strut	49	Feeder
		33	Main spring	50	Magazine floorplate

NOTE: Items 27-40 are integral to Part 26 (Hammer Box) and are not available individually

Spare Parts List SP 2009 / SP 2340



NOTES

*Be aware of those around you.
If their actions are not in keeping with
safe gun handling procedures,
TELL THEM.*

IMPORTANT:

**Do not discard. Keep this manual with your firearm.
Upon change of ownership, transfer this manual
with the firearm.**

SIGARMS®

*SIGARMS Inc.
Corporate Park
Exeter, NH 03833
(603) 772-2302
www.sigarms.com*