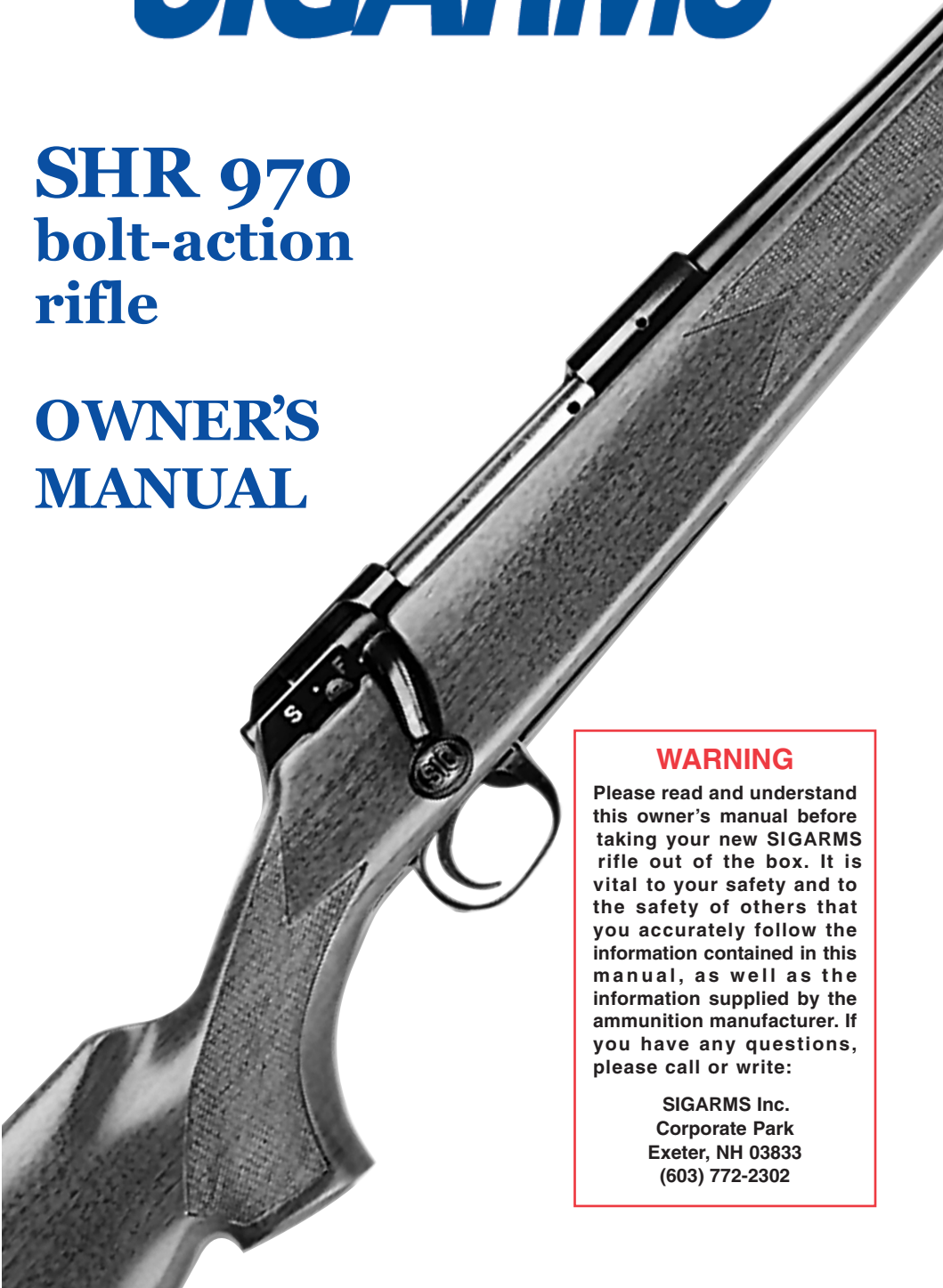


SIGARMS®

SHR 970 bolt-action rifle

OWNER'S MANUAL



WARNING

Please read and understand this owner's manual before taking your new SIGARMS rifle out of the box. It is vital to your safety and to the safety of others that you accurately follow the information contained in this manual, as well as the information supplied by the ammunition manufacturer. If you have any questions, please call or write:

SIGARMS Inc.
Corporate Park
Exeter, NH 03833
(603) 772-2302

Firearms Safety is Your Responsibility

Rifles are classified as FIREARMS and are sold by SIGARMS™ with the specific understanding that SIGARMS is not responsible in any manner whatsoever for their improper handling, use, or resale under local laws and regulations. SIGARMS shall not be responsible in any manner whatsoever for malfunctioning of the firearm, for physical injury or for property damage resulting in whole or part from (1) criminal or negligent discharge, (2) improper or careless handling, (3) unauthorized modification, (4) defective, improper, hand-loaded, or re-loaded ammunition, (5) corrosion, (6) neglect, or (7) other influences beyond our direct and immediate control. This limitation applies regardless of whether liability is asserted on the basis of contract, negligence or strict liability (including failure to warn). Under no circumstances shall SIGARMS be liable for incidental or consequential damages, such as loss of use of property, commercial loss and loss of earnings and profits.

Carelessness and ignorance cannot be tolerated when handling a firearm. Treat every firearm with respect and follow the safety rules outlined in this manual.

| Contents | Page |
|---|-------------|
| Specifications | 3 |
| Important Rifle Components | 4 |
| Safety Information | 4 |
| General Description | 6 |
| Principle Features | 6 |
| Ammunition | 6 |
| Operating the Three Position Safety Mechanism | 8 |
| Assembly | 9 |
| Loading the Magazine and Rifle | 10 |
| Disassembly | 12 |
| Normal Operation | 14 |
| Maintenance | 15 |
| Cleaning and Lubrication | 15 |
| Repair and Servicing | 16 |
| Ordering Parts | 17 |
| Returning Your Rifle | 17 |
| Warranty Statement | 18 |
| Parts Diagram/Parts List | 19 |

Specifications - SIGARMS® SHR 970 Rifle

Manually operated, short throw, 65° turn bolt-action with front locking lugs engaging the barrel directly. Internal extractor and ejector.
 Trigger: Single stage, adjustable only by factory technician.
 Safety: Three (3) position sliding safety.

| | Standard Calibers | Magnum Calibers |
|---------------------|-------------------|-----------------|
| Length, overall | 41.9" | 43.9" |
| Height, overall | 6.3" | 6.3" |
| Width, overall | 2.7" | 2.7" |
| Barrel length | 22" | 24" |
| Rifling twist | 1:10" | 1:10" |
| Rifling grooves | 4 | 4 |
| Weight w/o Magazine | 7.2 lbs. | 7.4 lbs. |
| Trigger pull | 4.4 lbs. | 4.4 lbs. |
| Magazine Capacity | 4 | 3 |

Calibers available

.25-06 Remington
 .270 Winchester
 .280 Remington*
 .308 Winchester
 .30-06 Springfield
 7mm Remington* Magnum
 .300 Winchester Magnum

* Uses a different rifling twist rate of 1:9.5"

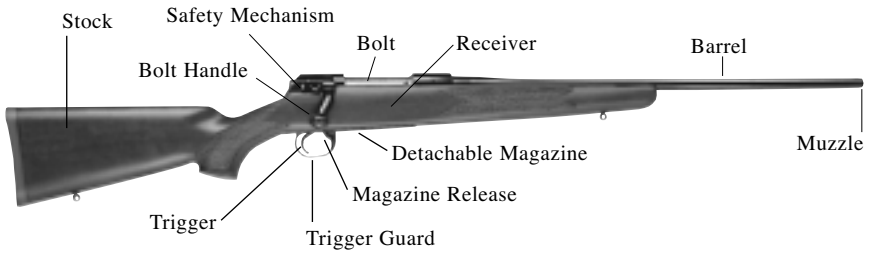
All weights and measurements are approximate.

Included with the SIGARMS® SHR 970: One rifle with magazine, one owner's manual, one wrench, one hard carrying case. Optional Accessories: Extra magazines, extra barrels.

Caliber Compatibility Chart

| Item# | Part # | Description | .25-06 Remington | .270 Winchester | 7mm Remington Magnum | .280 Remington | .308 Winchester | .30-06 Springfield | .300 Winchester Magnum |
|-------|-------------|----------------------------|------------------|-----------------|----------------------|----------------|-----------------|--------------------|------------------------|
| 1 | 34600046.63 | Barrel (.25-06 Remington) | X | | | | | | |
| 1 | 34600046.09 | Barrel (.270 Winchester) | | X | | | | | |
| 1 | 34600046.45 | Barrel (7mm Remington) | | | X | | | | |
| 1 | 34600046.57 | Barrel (.280 Remington) | | | | X | | | |
| 1 | 34600046.51 | Barrel (.308 Winchester) | | | | | X | | |
| 1 | 34600046.03 | Barrel (30-06 Springfield) | | | | | | X | |
| 1 | 34600046.39 | Barrel (.300 Winchester) | | | | | | | X |
| | 34600070.03 | Bolt Assembly Standard | X | X | | X | X | X | |
| | 34600072.03 | Bolt Assembly Magnum | | | X | | | | X |
| 47 | 34600203 | Magazine Assembly Short | | | | | X | | |
| 47 | 34600200 | Magazine Assembly Standard | X | X | | X | | X | |
| 47 | 34600202 | Magazine Assembly Magnum | | | X | | | | X |

Important Rifle Components



Important Safety Information

Congratulations, you are now the owner of one of the world's finest precision made rifles. The **SIGARMS® SHR 970** rifle combines traditional craftsmanship with the latest advances in modern production technology. Used with the proper ammunition, reasonable care and maintenance, your purchase of this high quality rifle is an investment that will bring you a lifetime of performance and dependability.

Safe Operation

To ensure the best performance and reliability from your firearm, please read and follow the procedures and WARNINGS outlined in this manual. Always remember that you, the owner, are ultimately responsible for firearms safety. Please read and follow all the safety procedures outlined in this manual. This manual contains information you need in order to operate your rifle safely and effectively. If you have any questions or comments about this rifle, its use and maintenance, or need more information about other SIGARMS™ products and accessories, please call or write SIGARMS Inc.

WARNING

Magnum Calibers require the following items to function properly:

- **Magnum Caliber specific Barrel(s)**
- **Magnum Caliber Bolt**
- **Magnum Caliber Magazine**

Magnum Caliber bolts are marked.

If you open the bolt and look in the groove on the left hand side of the bolt you will see the phrase "~~Magnum Caliber~~" laser engraved on the bottom of the groove.

Do not attempt to shoot a magnum Caliber cartridge unless you have the Magnum Caliber Bolt installed in your rifle.

Important

The safest firearm is one that is fully unloaded. This means that the safety is in the center (load/unload) position, the action is open, and the chamber has been checked visually to insure that a cartridge is NOT present.

The Commandments of Firearms Safety

- ALWAYS keep the gun pointed in a safe direction.
- ALWAYS keep your finger off the trigger until ready to shoot.
- ALWAYS keep the gun unloaded until ready to use.
- ALWAYS be sure the gun is safe to operate and the barrel is clear of any obstruction.
- ALWAYS use proper, factory-made ammunition for your particular gun.
- ALWAYS know your target and what is beyond it.
- ALWAYS wear eye and ear protection when shooting.
- ALWAYS store guns and ammunition in separate, locked containers so they are secure and not accessible to children or unauthorized persons.
- ALWAYS treat every gun as if it were loaded, never rest a gun against a wall or fence.
- NEVER use alcohol or drugs before or during handling of a gun.
- NEVER bring a loaded firearm into a building.
- NEVER transport a loaded firearm.

Safety Mechanism

What you should know about manual safety mechanisms:

Never completely trust any manual safety mechanism. While your rifle is equipped with an effective, well-designed safety mechanism, **NO SAFETY MECHANISM IS A SUBSTITUTE FOR PROPER GUN HANDLING**. Any safety mechanism can break down or malfunction. Even when the manual safety is “ON”, your firearm could fire when dropped. **YOU, AND YOU ALONE, ARE THE ULTIMATE SAFETY MECHANISM.**

YOU CAN MAKE A DIFFERENCE!

Teach other members of your family, especially children, safe gun handling. Ignorance and carelessness are the major causes of gun related accidents. Whenever possible attend a “Hunter Safety” course or “Firearms Safety” course in your area. This is an investment in your future. Encourage others to enroll with you.

SUMMARY INFORMATION

If a customer wants to convert from or to a Magnum Caliber they must also purchase a new bolt assembly, and a new magazine.

If a customer wants to convert to .308 Winchester they must purchase a short action magazine. If they currently have a Magnum caliber they would also require a standard bolt assembly.

General Description

Manufactured by advanced, state-of-the-art production processes, the SIGARMS™ SHR 970 rifle is a modern, short throw, bolt-action rifle, with an internal extractor and ejector. The modern take-down design allows for quick and precise barrel replacement and enables the user to perform routine maintenance without special tools.

Principle Features SIGARMS SHR 970

- Modern take-down design.
- Interchangeable barrel(s).
- 3 Position safety mechanism.
- 65° Short throw bolt.
- Bolt locks directly to the barrel.
- High-density synthetic or walnut stock.
- Hammer-forged barrel and chamber.
- Detachable steel box magazine.
- Unique bedding block system.
- Hard carry case with each rifle.

Ammunition

CALIFORNIA PROPOSITION 65 WARNING

Discharging firearms in poorly ventilated areas, cleaning firearms, or handling ammunition may result in exposure to lead and other substances known to cause birth defects, reproductive harm, and other serious physical injury. Have adequate ventilation at all times. Wash hands thoroughly after exposure.

Your SIGARMS SHR 970 rifle will function safely and effectively with a wide variety of commercial, factory-loaded ammunition of the correct caliber.

Follow the instructions below to assure trouble-free performance and prevent ammunition related problems.

1. Use only ammunition of the correct caliber for which your rifle is chambered. The correct caliber is permanently stamped on the left side of the barrel.

Ammunition (continued)

WARNING

Using the WRONG ammunition could destroy your rifle and cause serious personal injury or death. If a bullet is in the bore, do not attempt to shoot it out by using another cartridge. This can generate excessive pressure, damage the firearm and cause serious personal injury.

2. SIGARMS™ recommends the use of clean, commercial factory-loaded ammunition. Always use ammunition that complies with the performance standards established by the Sporting Arms and Ammunition Manufacturers' Institute, Inc. of the United States (SAAMI).

The use of ammunition which is not of standard dimension, proper caliber or which has not been loaded in accordance with SAAMI specifications can cause serious personal injury and can damage your firearm.

CAUTION: For your safety, the safety of others and to avoid damage to the firearm, beware of barrel obstructions. An obstruction, such as mud, snow, dirt or other foreign object, can increase pressure and cause damage to your firearm and cause injury to you and to others. Before checking the barrel for an obstruction, make sure the safety mechanism is in the center (load/unload) position. Open the action and remove the bolt, making sure the firearm is unloaded. After assuring yourself that the firearm is completely empty, look through the chamber (do not look down the muzzle). If an obstruction is detected, no matter how small it may be, clean the barrel as described in the "Cleaning and Lubrication" section of this manual on page 15.

3. Always inspect your ammunition before use to be certain all cartridges are the correct caliber.
4. Keep your cartridges free of oil. Wipe the chamber clean of any oil or preservative before you shoot. Oil in the chamber creates excessive pressures.
5. Before loading any live ammunition make sure that you are familiar with the rifle and this instruction manual completely.

Operating the Three Position Safety Mechanism

The safety:

The SIGARMS™ SHR 970 rifle is equipped with a three position sliding safety. With the rifle completely unloaded, move the safety lever from position to position, to become familiar with the lever location and feel.

1. Position “S” (See Figure 1A)

This is the rearmost position of the safety. In this position the safety is on “S” (SAFE). Sear engagement is blocked to prevent firing, and the bolt is “locked” and cannot be opened.

2. Center Position (“•” See Figure 1B)

This position is the white dot located in the center of the safety (see figure 1B). When the safety lever is placed in this position, sear engagement is blocked, but the bolt can be opened to load or unload the rifle.

3. Position “F” (See Figure 1C)

This is the forward most position of the safety. In this position, the safety is on “F” (ready to FIRE). The rifle may now be fired by pulling the trigger, and the bolt may be operated.

Continued on next page



Figure 1A



Figure 1B



Figure 1C

WARNING

REMEMBER that the safety mechanism is not a substitute for safe gun handling. Always keep the gun pointed in a safe direction even when the safety is engaged, to avoid serious injury to you or others.

WARNING

If the safety mechanism becomes loose or difficult to operate, unload the firearm and return it to SIGARMS immediately for service.

Assembly Instructions

WARNING

Be sure to wear eye protection prior to performing any assembly or disassembly.

Assembling the bolt:

The bolt is shipped in the case with your rifle but is not installed due to shipping regulations.

1. Remove any packaging material that may be on the bolt.
2. Move the safety to the center position.
3. **Remove the magazine** by firmly pressing forward on the magazine catch located in front of the trigger guard (See Figure 1).



Figure 1

Continued on next page

Assembling the bolt (continued)

4. Holding the rifle securely, with the muzzle pointed in a safe direction, insert the bolt with the handle pointing straight up from the stock (12:00 o'clock position) and gently push the bolt into the receiver until it is past the bolt stop/release mechanism located on the left hand side of the rifle (See Figure 2A). Push the bolt fully forward and rotate the bolt handle downward to check engagement of the bolt. This completes bolt installation (See Figure 2B).



Figure 2A



Figure 2B

Loading the Magazine and Rifle

Loading the magazine:

1. Make sure you check the bore for any obstructions before loading the rifle. Obstructions could be anything from a forgotten cleaning patch to excess oil or grease. Make sure the barrel is clean and ready to fire, if it is not, injuries could occur to yourself or those nearby.
2. Load the correct caliber cartridges, as engraved on the side of the barrel, into the magazine by pressing one cartridge at a time into the magazine until it is retained firmly by the magazine lips.
3. Push the cartridges to the rear, making sure the base of each cartridge is located against the rear wall of the magazine. The magazine capacity is four (4) rounds.

WARNING

Before loading a magazine into the rifle make sure the safety is in the center (load/unload) position.

Loading the rifle:

NOTE: Your SIGARMS™ SHR 970 comes from the factory with a light coating of protective lubricants. Before you fire the rifle, clean and lubricate it as recommended on page 15.

1. Point the rifle in a safe direction.
2. Put the safety lever in the center position (See Figure 5).
3. Raise the bolt handle and pull it all the way back.
4. Insert a loaded magazine from the bottom and make sure it has engaged the magazine catch (See Figure 6).
5. Push the bolt forward so that the top round in the magazine is engaged and loaded into the chamber.
6. Push the bolt handle down to the locked position, keeping your finger away from the trigger.
7. Activate the safety by positioning the safety lever into the “S” (SAFE) position.

The rifle is now loaded (See Figure 7).



Figure 5



Figure 6



Figure 7

Unloading:

The only way to be certain that a rifle is unloaded is to check it visually. Place the safety in the center position (See Figure 1B, page 8), open the bolt, remove the magazine and look in the chamber to make sure there is not a cartridge present. This is essential for your safety and the safety of others.

Disassembly

Before you disassemble the rifle, make sure that it is unloaded.

Removing the bolt:

1. **Make sure the rifle is unloaded.**
2. Put the safety lever in the center position.
3. Open the bolt and draw it back, to the stop.
4. Press the bolt release/stop lever on the left side of the receiver and extract the bolt from the receiver by pulling it rearward (See Figure 8).



Figure 8

Removing the magazine:

1. **Make sure the rifle is unloaded.**
2. Press forward firmly on the magazine catch located in the front of the trigger guard.

WARNING

Before performing any cleaning or maintenance, make sure the rifle is completely unloaded. This includes the magazine and chamber.

Removing the stock:

1. **Make sure the rifle is unloaded.**
2. Remove the magazine.
3. Remove the bolt.
4. Remove the rear and front stock retention screws using the wrench provided and remove the floor plate and integral trigger housing (See Figure 9).
5. Lift the action out of the stock (See Figure 10).



Figure 9



Figure 10

Removing the barrel:

NOTE: When a new barrel is installed the rifle must be resighted.

1. **Make sure the rifle is unloaded.**
2. Remove the bolt, magazine, and the stock (See Figure 11).
3. Use the supplied wrench to loosen the two barrel clamping screws on the bottom of the receiver. (Do not remove screws.)
4. Extract barrel from the receiver by pulling it straight out (See Figure 12).



Figure 11



Figure 12

Installing the barrel:

1. **Make sure the rifle is unloaded.**
2. Place the safety in the center position.
3. Make sure the barrel is clear of any obstructions.
4. Insert the barrel into the receiver by first indexing the small flat on the bottom of the barrel shank to the 6:00 o'clock bottom position on the receiver. Insert the barrel into the receiver with a slight rotating motion until the barrel clicks into position.
5. Insert the bolt into the receiver, close and rotate bolt handle downward into the locked position.
6. Tighten the two (2) barrel clamping screws with supplied wrench.

The trigger assembly:

The trigger is adjusted at the factory to provide a crisp, single stage pull.

The internal adjustment screw is pre-set at the factory and permanently sealed.

Do not attempt to adjust the trigger. Any change in the original factory adjustment can either cause the rifle to fire unexpectedly with the safety in the "S" (SAFE) position or not permit the rifle to fire at all. If the rifle fires unexpectedly, injury or death could result.

WARNING

Do not attempt to disassemble your rifle beyond the point explained in this manual. Further disassembly should be done only at the factory. Some of the components are installed under great spring pressure requiring special tools and fixtures for disassembly.

Normal Operation

1. Before attempting to shoot your SIGARMS™ SHR 970 be sure that it is correctly assembled and that there are no obstructions in the barrel.

WARNING

You should never point the muzzle at anything, unless you are planning to shoot, especially when you are loading and unloading the rifle. Muzzle direction could be the difference between LIFE and DEATH.

2. Prior to loading, set the safety switch to the center position.
3. Raise and unlock the bolt and pull it to the rear until it stops.
4. Remove the magazine.
5. Load the magazine with four (4) rounds of the correct caliber ammunition. Make sure that you are using ammunition of the caliber designated on the left side of the barrel.
6. Insert magazine into the rifle, making certain the magazine catch is engaged.
7. Keeping your finger off the trigger, close the bolt by pushing forward and rotating the handle downward to the locked position.

WARNING

If you are having trouble closing the bolt, stop immediately. Do not force a round into the chamber, check to make sure that the ammunition is the correct caliber, that it is not defective, or that an obstruction does not exist in the bore or chamber. If the problem still exists, return your rifle, unloaded, to SIGARMS.

WARNING

Even with the safety in the “S” (SAFE) position a loaded rifle can discharge if dropped or jarred.

8. When chambering a cartridge the safety should be in the center position (see pages 8 and 11). **Do not chamber a cartridge unless you are about to shoot.** Once you have chambered a cartridge, keep the safety in the “S” (SAFE)

position until you are ready to fire. When you are ready to fire push the safety fully forward to the “F” (FIRE) position.

9. If you pull the trigger and the rifle fails to fire, keep it pointed in a safe direction and wait 30 seconds. Then, open action carefully, remove and examine the loaded cartridge. If the cartridge primer is indented but did not fire, do not reuse the cartridge. If you examine the cartridge and the primer is not indented, your rifle has malfunctioned and should be returned to SIGARMS™ for service.

Maintenance

WARNING

Before performing any cleaning or maintenance, make sure the rifle is completely unloaded. This includes the magazine and chamber.

Your SIGARMS SHR 970 represents a wise investment in an extremely high quality, finely-crafted firearm. Regular, routine maintenance procedures will help protect and preserve that investment for a lifetime of pleasurable, reliable use. Make sure you periodically clean and maintain your rifle according to the instructions in this manual for safe and reliable performance.

Firearms maintenance is your responsibility.

Cleaning and Lubrication

Be sure your gun is unloaded!

After each use, your SIGARMS SHR 970 should be cleaned and re-lubricated before being returned to its storage place. Wipe off any visible dirt and grime from all parts with a clean, soft cloth.

Barrel and chamber:

1. After each use, run a swab or bronze brush of the correct caliber through the barrel from the breach end to remove any powder residue. If any evidence of powder or copper remains, use a quality grade bore cleaner with a bronze brush. Then remove the loosened fouling with a swab or gun bore patches. Finally, apply a thin film of quality gun oil preservative throughout the entire bore surfaces.
2. Coat the entire outer surface of the barrel with a quality gun oil preservative and wipe off any excess. **Note:** Do not over lubricate any parts of your firearm.

Continued on next page

Cleaning and Lubrication (continued)

Bolt and internal metal surfaces:

1. Use a small nylon bristle brush and soft clean cloth to thoroughly clean these areas. Lightly lubricate the bolt and internal metal surfaces before reassembling the rifle.

External metal surfaces:

1. Lightly lubricate all external metal surfaces before reassembling the rifle. Wipe all external metal surfaces to remove any moisture or finger marks.

Stock:

1. Both the synthetic or wood stock on your SHR 970 rifle requires little or no maintenance. Occasional cleaning with a damp cloth will restore your stock to like-new appearance.

WARNING

Do not store ammunition with oils or cleaning chemicals.

WARNING

You must monitor the rifle's performance. If the recoil seems too weak, do not load another round. Completely unload the rifle and check for a barrel obstruction. Examine the cartridge casing for damage such as a splits or bulges. If these conditions exist promptly return the rifle to SIGARMS for service.

Repair and Servicing

Although your SIGARMS SHR 970 has been precision manufactured and assembled from the highest quality materials, there is always the possibility of damage or the need for servicing and/or parts replacement. If you suspect your rifle might be damaged, or if you ever experience any malfunction or notice any looseness in the action of your rifle, stop using it immediately. Return it to SIGARMS for inspection and any necessary repair.

Ordering Parts

Before you order any parts, please be advised that, while most gunsmiths may be perfectly capable of repairing your rifle, we do not vouch for any individual's skill or workmanship. Remember, unauthorized adjustments or parts replacement can void your service warranty. Your SIGARMS™ SHR 970 is a precision instrument and replacement parts require a trained gunsmith to ensure proper installation and operation. Remember to always specify the model and serial number of your rifle when ordering parts. The most sensible decision you can make if your rifle needs servicing is to simply return it to the SIGARMS Service Department.

Serial Number:

The serial number of your new SIGARMS SHR 970 is located on the left side of the receiver. Record the serial number here for future reference.

SIGARMS SHR 970 Serial # _____

Returning Your Rifle

When you return a rifle to the SIGARMS Service Department, here's what to do:

- Make sure that the rifle is unloaded and that no ammunition is included. Remove the bolt and the magazine. Wrap both securely and put in the case with the rifle.
- Package the rifle securely to prevent damage, preferably in its original shipping case if available.
- Enclose a letter with your name, complete address, daytime phone number, rifle model and serial number and a detailed explanation of the problem you have encountered or the work you want performed. If repairs are requested under warranty, enclose a copy of the original sales receipt.
- Generally, an individual may ship a rifle to the manufacturer for repair or service. Some states or localities, however, may prohibit this. If such regulations apply to you, your rifle must be shipped by and returned to a Federally Licensed Firearms Dealer. **NOTE:** Any shipment of firearms outside of the borders of the United States is subject to the valid laws of that specific country, which you must strictly follow.
- Ship your rifle insured and prepaid (we cannot accept collect shipments) to **SIGARMS Inc., Attention: Service Department, Corporate Park, Exeter, NH 03833 (603) 772-2302.**

This instruction manual should always accompany this rifle and be transferred with it upon change of ownership.

**SIGARMS™ CANNOT BE RESPONSIBLE FOR
THE FUNCTIONING AND SAFETY OF
ANY FIREARM WHICH HAS BEEN ALTERED
OR CHANGED FROM THE ORIGINAL
FACTORY SPECIFICATIONS.**

Warranty Statement

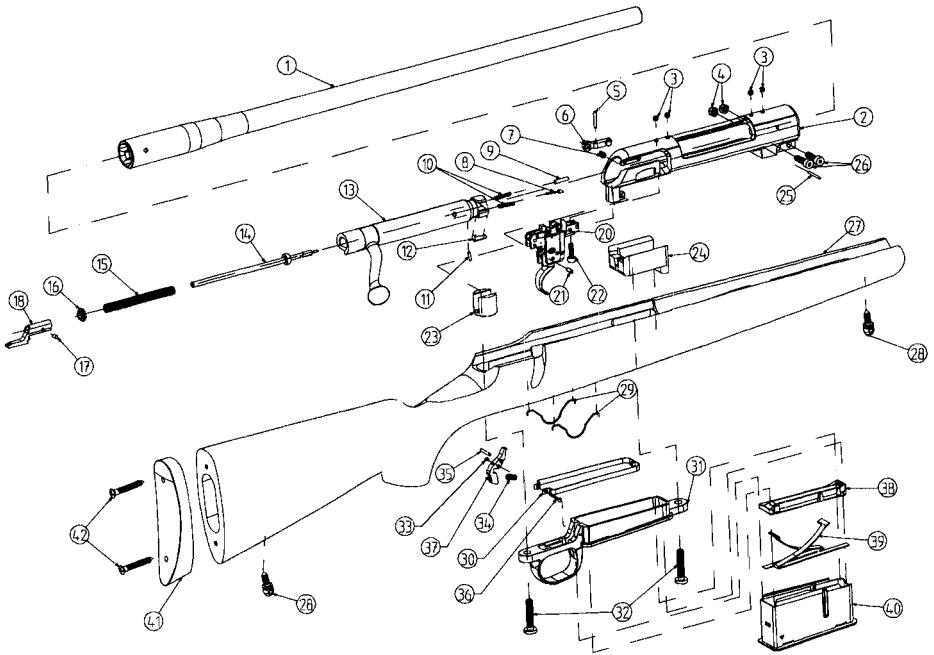
Based on the Magnuson-Moss Warranty Act, SIGARMS™ offers no express warranty on their product line. However, SIGARMS recognizes its obligations concerning service to owners of SIGARMS products.

SIGARMS stands behind its products and will continue to provide service to its product line as they have over the years. SIGARMS products will be serviced for a period of one year from the date of retail purchase, for defects in materials or workmanship, at no charge to the purchaser. **This warranty is void if the firearm has been abused, altered, misused, damaged by accident, fired with improperly loaded ammunition or with an obstruction in the barrels, or damaged by failure to provide reasonable and necessary maintenance. This warranty does not apply to normal wear of any parts, including metal, wood, plastic, rubber and other material's surface finish if unauthorized repair and alteration has been performed. Be sure to retain your sales slip as proof of purchase date when making a claim.**

If you have questions concerning the performance or servicing of your rifle, please, call or write directly to:

**SIGARMS Inc.
Attention: Service Department
Corporate Park
Exeter, NH 03833
(603) 772-2302**

SIGARMS™ SHR 970, Parts List



No. Description

1. Barrel
2. Receiver
3. Filler Screws (4)
4. Barrel Clamping Nuts (2)
5. Bolt Release Pin
6. Bolt Release/Stop
7. Bolt Release Spring
8. Extractor Plunger
9. Ejector
10. Ejector/Extractor Springs (2)
11. Ejector Pin
12. Extractor
13. Bolt Body
14. Firing Pin
15. Firing Pin Spring

No. Description

16. Bushing/Spring Seat
17. Firing Pin Cross Pin
18. Cocking Piece
19. Bolt Sleeve
20. Trigger Assembly
21. Trigger Pin
22. Trigger Housing Screw
23. Rear Bedding Block
24. Front Bedding Block
25. Barrel Locating Pin
26. Barrel Clamping Screws (2)
27. Stock
28. Q.D. Swivel Studs (2)
29. Magazine Ejector Springs (2)

No. Description

30. Magazine Support Bracket
31. Trigger Guard
32. Guard Screws (2)
33. Retaining Clips (2)
34. Magazine Release Spring
35. Magazine Release Pin
36. Support Retaining Pin
37. Magazine Release
38. Magazine Follower
39. Magazine Spring
40. Magazine Box
41. Butt Plate
42. Butt Plate Screws (2)

IMPORTANT:

**Do not discard. Keep this manual with your firearm.
Upon change of ownership, transfer this manual
with the firearm.**



SIGARMS SHR 970 bolt-action rifle case

SIGARMS[®]

*SIGARMS Inc.
Corporate Park
Exeter, NH 03833
(603) 772-2302*