

Thank you for buying our product. In examining American handgun production figures for the 1970's and early 1980's we noted .32ACP pistols were dramatically underrepresented in the figures. Production of .25ACP pistols has been on the order of 100 to 1 against .32ACP pistol production although the .32 round is unquestionably the far superior defensive round. In guns of identical barrel length the .32 cartridge generates substantially more foot pounds in energy. Additionally, it produces a 64% larger and more damaging hole — yet .25ACP has been a hot seller whereas .32ACP sales have been negligible. Weapons chambered for either caliber, moreover, are primarily used for defensive purposes and the disparity in production/sales cannot be attributed to a difference in intended usages. The only reasonable explanation for the lack of a .32 following is that no pistol of recent vintage has been manufactured for which .32ACP is the primary intended cartridge. Every design available to the .32 is also available in .380, and the .32 has become a caliber in search of a gun. It is a good defensive round — far superior to .25ACP or .22LR in short barreled guns — yet it is not quite potent enough to compete with .380 when both come packaged for identically sized weapons. It is our intent, with the LWS .32, to help reestablish the .32 as a legitimate round in the defense arsenal — which move we feel has been long overdue.

There is a tendency for those of us who work in the gun trade as instructors, designers, or providers of specialized services to develop a tunnel vision philosophy on what constitutes a good defense gun. The longer we are involved with guns, the greater becomes our inclination to attach ourselves to a set of criteria so narrow that few guns qualify for respectability. Often, the gun praised most for its defense capability is the one seldom within reach, and the practical reality is ignored that a weapon has no defense value at all if it is not there when needed. It matters little whether a gun inaccessible to us at a moment of need is a BB gun or a cannon. Sales slips and proof of ownership are not defensive weapons. And how many of us have the body structure, occupation, and dressing habits that allow us to make a large caliber handgun our constant companion? Even the top of the line professionals we know have occasion to be grateful for an ultra compact pistol as a backup, or as a round the clock companion not prevented from tagging along on trips to the beach or those occasions where a large gun is simply impractical to carry.

In those States where concealed carry by civilians is permitted, the push for legislation against small handguns is patently sexist since concealability is defined in individual terms of body size and normal dress habits. Were such legislation to pass, women would effectively be denied their right to an equal protection of the laws. A carry permit is a useless scrap of paper if no guns are available to give the permit a practical application, and proposed legislation against small handguns would selectively disarm law abiding people on the basis of build and dress without in any way deterring criminals from carrying. The small pocket pistol is furthermore the worst possible firearms selection a criminal can make. As an offensive weapon, its value is limited by its short range effectiveness. It is designed solely for defensive use at close quarters.

Because of limitations imposed by hand structure or strength, not everyone is able to become proficient with a large gun. And again, it is women who would be disproportionately denied an equal right to self-defense and the equal protection of the law if a ban on small guns were instituted. There are, moreover, a number of professions – such as medicine – where an individual may want some means of protection during business hours but cannot carry a large gun without it becoming noticeable and adversely affecting the client relationship. What we feel is needed, therefore, is not an unconstitutional ban on small handguns, but a greater selection of small guns to choose from and a general improvement in the quality thereof – so that the options for self-defense are increased for some of those who need it most.

The Seecamp .32 is unique among present pocket designs. It has no sights, as we do not seek to encourage firearms misuse with promises of a non-existent capability. If you cannot hit your mark with a natural instinctive pointing of the gun in the direction of the target, and feel the need for sights, the LWS .32 is not the gun for you.

Our .32 also has no manual safeties. It is a straight double-action, and like a revolver requires a long trigger pull for every shot. The gun is safe before you pull the trigger, and it is safe after you pull the trigger – the length of the trigger pull securing the gun against unwanted firing.

**IMPORTANT:** Read this brochure. For information on magazine safety function, study the NOTE after the UNLOADING description. Do not assume anything. Read completely!!

## WARNINGS:

1. A gun is as safe or dangerous as the person who controls its use. Learn about your gun, its maintenance, and the rules of safe gun conduct. And above all, maintain control over your gun. Make it yours. The more people you tell about your gun, the less valuable it becomes to you as a defense tool and the more dangerous it is to your own safety. If there is no reason for you to tell someone you own a gun for self defense, then there is every good reason for you to keep that fact to yourself. Keep your defense posture private!!!
2. Always treat a gun as though it were loaded. Safe gun handling should become a part of your second nature, so that any momentary lapse in concentration is covered for by deeply ingrained habits of safe conduct.
3. Never put your finger on the trigger of a gun unless you intend pulling the trigger. Until then, keep your fingers out of the trigger guard.
4. Do not point your gun at anything you do not wish to shoot. When handling a gun, make it a habit to always be aware of the direction in which the muzzle is pointing. That is: As you handle a gun, ask yourself where a shot would go if the weapon were to discharge at that moment. Be sure there is no living thing ever at the end of that muzzle which doesn't belong there, including parts of your own body.
5. Never give up possession of a loaded gun. If you must hand over your gun to someone for inspection, completely unload it before it leaves your hands. If someone passes you a gun, on the other hand, never take his or her word that it is unloaded. Check for yourself. Always remove the magazine from an automatic before checking to see whether the chamber is empty.

6. Maintain control over your gun even when it is not immediately under your personal supervision. Reduce the possibility of unauthorized access by storing guns and ammunition separately, preferably under lock and key, but securely out of the reach of children. In the case of the Seecamp .32 pistol, separate the magazine and gun whenever the gun is left unattended for however brief a moment, and be sure that the gun is completely unloaded – with magazine, pistol, and ammunition stored separately – during longer periods of unattendance. Remember also that visibility invites unauthorized use. (Important: See NOTE under UNLOADING procedure for instructions on how the magazine safety operates. Do not assume you know how our magazine safety works because you are familiar with other guns.)
7. Before using a gun, check the barrel to see that it is free from obstructions. Clean the weapon after use.
8. Do not use reloaded ammunition or ball ammunition, but **USE ONLY CLEAN AND DRY WINCHESTER SILVERTIP AMMUNITION**. Do not oil a gun that is loaded, as some types of oil will penetrate the primer (detonator) of a cartridge and may cause failure to discharge.
9. Be sure of your target when you shoot, and also take into account the possible consequences of an errant shot. A safe backdrop is therefore important.
10. Do not shoot at water or at hard, flat surfaces as a ricochet may substantially alter the course of the bullet.
11. Wear ear protection and eye protection when shooting.
12. In the event of a misfire, wait thirty seconds before emptying the chamber of a misfired round, keeping the gun pointed down range. If the primer print is no smaller than usual, discard the round as per the ammunition manufacturer's instructions. If the print is weak, have a qualified gunsmith examine the gun.



FIG. 1

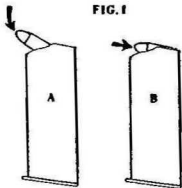


FIG. 3

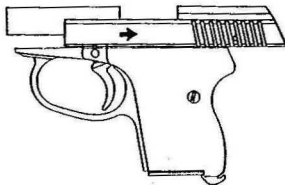


FIG. 2

FIG. 4



## **LOADING: (Figs. 1 through 4)**

1. Insert cartridge into magazine as shown in A and B of Fig. 1.
2. Insert magazine into magazine well of pistol as shown in Fig. 2.
3. Retract slide as shown in Fig. 3. On releasing slide, the round will enter the chamber of the barrel.
4. Remove magazine as shown in Fig. 4. (Hold the weapon in your shooting hand as if to fire, with your fingers out of the trigger guard and the gun pointed in a safe direction. Extend the fingers of your shooting hand, keeping the gun securely grasped between your thumb and palm and face the palm of your hand up. With the free hand, use your thumb to pivot the magazine catch to the rear and your forefinger to pull the magazine down and out of the magazine well. NOTE: Keep the gun pointed in a safe direction at all times. Do not put fingers or any part of your own body in front of the muzzle.)
5. Load the magazine with six cartridges.
6. Insert the loaded magazine into the magazine well of the pistol, being sure that the retaining lip of the magazine catch is securely locked underneath the rear of the magazine.

FIG. 6

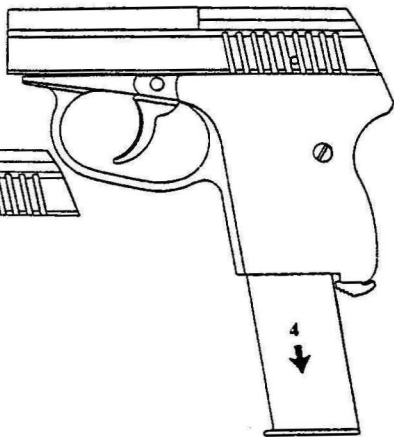
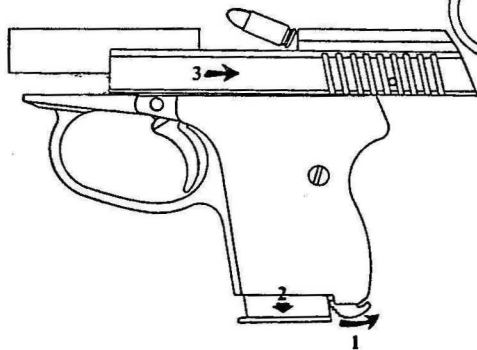


FIG. 5



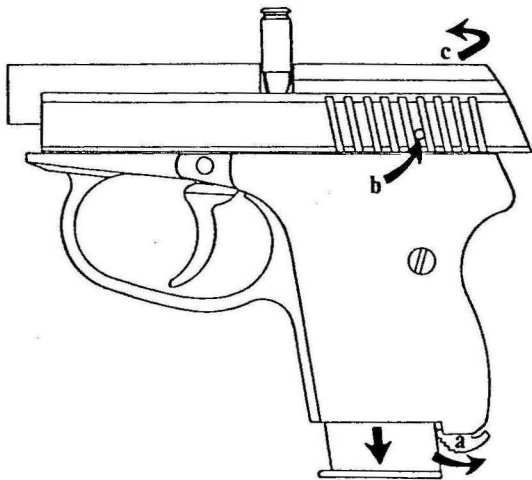
## UNLOADING: (Figs. 5 and 6)

1. Pivot magazine catch to rear.
2. The magazine will drop down a small distance when the magazine catch is pivoted to the rear.
3. Retract slide to empty the chamber.
4. Completely remove the magazine.
5. Retract the slide for a visual confirmation that the chamber is indeed empty. (The slide will retract far enough to allow such inspection with the magazine removed.)

NOTE: When the magazine is removed, the gun cannot be fired by pulling the trigger and the slide cannot be retracted far enough for a feed cycle. If there is a round in the chamber and the magazine has been removed, a child can thus neither pull the trigger to fire the gun nor gain access to that live round for potential play which might result in detonation. Additionally, the slide blockage deters the type of slide manipulation and manual chambering and extraction of ammunition which could have disastrous consequences. We believe our .32 is as safe as a gun can be made, and strongly urge those safety features it incorporates be used to their ultimate advantage. Remove the magazine whenever the gun is left unattended for however brief a moment, and completely unload the weapon – empty chamber, magazine removed – whenever the weapon is unattended for a significant period of time. Store ammunition, gun, and magazines separately.



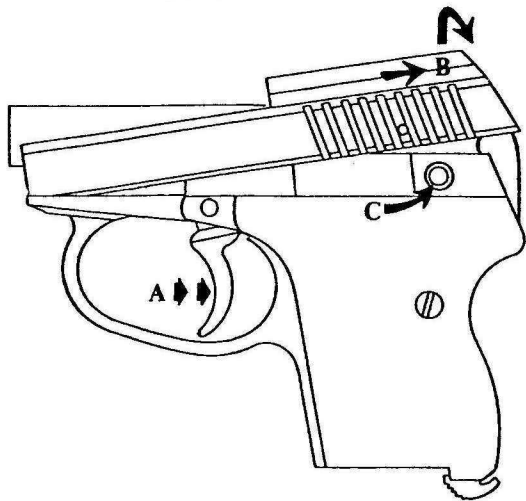
FIG.7



## **FIELD STRIPPING: (Fig. 7.)**

1. Follow the 5 step UNLOADING procedure.
2. Retract the slide and insert a cartridge, bullet end facing down, in the open space between the slide and frame as shown. Release slide.
3. Insert a pin into the slide hole indicated by arrow **b** and depress a spring loaded slide retainer plunger situated in the frame at the hole area.
4. Simultaneous with 3, lift the slide up at the rear as indicated by arrow **c**.
5. Holding the rear of the slide upwardly, move the slide forward to separate it from the frame.

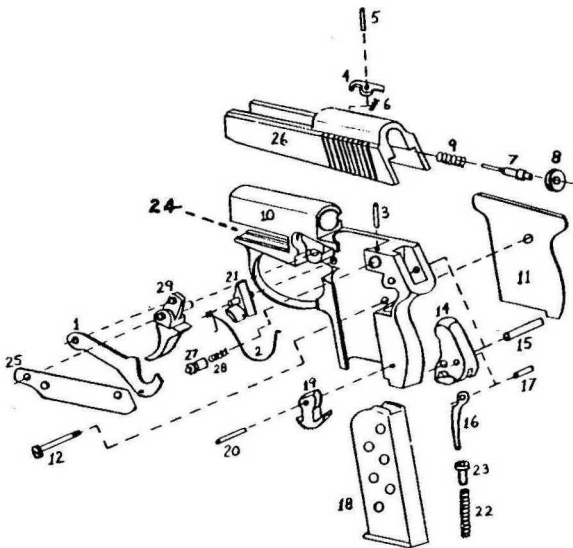
FIG. 8



## REASSEMBLY: (Fig. 8)

1. Draw back the hammer slightly so it engages the draw bar. Release hammer.
2. Position the slide as shown in Fig. 8. **Double end of recoil spring assembly goes into frame.**
3. **With empty magazine in gun and empty chamber, pull trigger slightly to cock hammer out of way of projected slide path. Hold draw bar down against trigger until slide captures bar.**
4. Pull upwardly and rearwardly on the back of the slide until the slide clears the frame. Then pivot the rear of the slide downwardly.
5. When the slide touches the slide retainer plunger indicated by arrow C, release the trigger — continuing to press downwardly at the rear of the slide.
6. Depress the slide retainer plunger at arrow C to allow the slide's movement past said retainer plunger.
7. Exerting downward pressure at the rear of the slide, wiggle the slide frontward and backward to lock the slide into place.
8. Pull up on the rear of the slide to ensure that it is indeed locked in place.

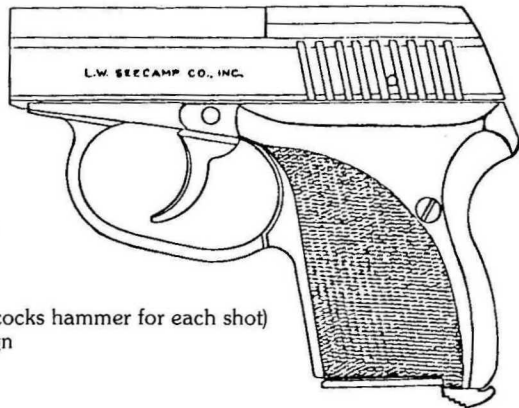
## PARTS LIST



- |  |                           |
|--|---------------------------|
| 01. Draw bar                           | 26. Slide                 |
| 02. Draw bar spring                    | 27. Slide retainer        |
| 03. Ejector                            | 28. Slide retainer spring |
| 04. Extractor                          | 29. Trigger               |
| 05. Extractor pin                      |                           |
| 06. Extractor spring                   |                           |
| 07. Firing pin                         |                           |
| 08. Firing pin stop                    |                           |
| 09. Firing pin spring                  |                           |
| 10. Frame                              |                           |
| 11. Grip                               |                           |
| 12. Grip screw                         |                           |
| 14. Hammer                             |                           |
| 15. Hammer pin                         |                           |
| 16. Hammer strut                       |                           |
| 17. Hammer strut pin                   |                           |
| 18. Magazine                           |                           |
| 19. Magazine catch                     |                           |
| 20. Magazine catch pin                 |                           |
| 21. Magazine safety                    |                           |
| 22. Mainspring                         |                           |
| 23. Mainspring cap                     |                           |
| 24. Recoil spring assembly (not shown) |                           |
| 25. Side plate                         |                           |

**USE ONLY  
WINCHESTER  
SILVERTIP AMMO!**

**LWS-.32**



Caliber: .32ACP

Magazine capacity: 6 rounds

Operation: Straight double action (trigger cocks hammer for each shot)

Action: Semi-automatic blowback design

Sights: None. Smooth snag-free top.

Safeties: Magazine safety.

Overall length: 4¼ inches

Overall height: 3¼ inches

Width: 9/10 of an inch

Weight fully loaded: 12.5 ounces

Construction: Predominantly aircraft type 17-4PH stainless steel.

Frame: 416 stainless.

Where advised, select parts such as springs are of appropriate non-stainless steels.

Grips: 10% glass filled nylon.